

CODES:

FLORIDA BUILDING CODE 2014, 5TH EDITION
 ASCE STANDARD 7-2010
 MIAMI DADE WIND SPEED = 175 MPH

WIND DESIGN REQUIREMENTS:

ULTIMATE DESIGN WIND SPEED, Vult (3 sec. gust)	175 mph
NOMINAL DESIGN WIND SPEED, Vasd	135 mph
RISK CATEGORY	II
HEIGHT TO CENTROID	15 FT max.
EXPOSURE CATEGORY	C
ENCLOSURE CATEGORY	N/A
EFFECTIVE WIND AREA	N/A
INTERNAL PRESSURE COEFFICIENT GCpI	N/A
DIRECTIONALITY FACTOR Kd	0.90
TOPOGRAPHIC FACTOR Kzt	1.00
GUST EFFECT FACTOR	N/A

WIND LOAD METHOD:

VELOCITY PRESSURE:
 based on ASCE 7-10, Eq. 29.3-1
 $qz = 0.00256 Kz Kzt Kd V^2$ psf
 $Kz = 0.85$
 $V = Vult$
 $qz = 60.0$ psf

WIND PRESSURES:
 based on ASCE 7-10 Eq. 29.5.1 & FBC 1620.6
 $F = qh GCr Af$ psf Eq. 29.5-2
 $GCr = 1.1$ FOR LATERAL FORCES
 $GCr = 1.0$ FOR VERTICAL FORCES

LOAD COMBINATIONS:

POSITIVE VERTICAL FORCE:	$1.0 \cdot D + 0.6 \cdot W$ [FBC 1605.3.1 EQ. 16-12]
SLIDING & ANCHOR PULLOUT:	$0.6 \cdot D + 0.6 \cdot W$ [FBC 1605.3.1 EQ. 16-15]
OVERTURNING:	$0.67 \cdot D + 0.78 \cdot W$ [FBC 1605.3.2 EQ. 16-18]

GENERAL NOTES:

- THIS ENGINEERING REPORT DOCUMENTS THE ANALYSIS OF AC EQUIPMENT MOUNTED ON A CONCRETE FOUNDATION PAD AND THE ASSOCIATED ANCHORING SYSTEMS TO RESIST DEAD WEIGHT AND WIND LOAD FORCES.
- THE ANALYSIS CONFORMS TO THE REQUIREMENTS OF THE FLORIDA BUILDING CODE 2014 AND ASCE 7-2010, FOR USE WITHIN & OUTSIDE HVHZ.
- THE AC UNIT IS MOUNTED ON A CONCRETE FOUNDATION PAD. THE CONCRETE FOUNDATION PAD SHALL BE MIN 8" THICK AT ANCHOR LOCATIONS.
- THE ANCHORAGE IS DESIGNED AND VERIFIED BY STRUCTURAL ANALYSIS BY THIS ENGINEER.
- ALTERNATE DESIGNS FOR SUPPORTS WITHIN 15' OF GROUND LEVEL, THAT ARE DESIGNED TO RESIST THE ABOVE WIND LOADS MAY BE USED AT THE CONTRACTOR'S OPTION. FOR ALTERNATE DESIGNS FOR SUPPORTS WITHIN 15' OF GROUND LEVEL, PROVIDE DETAILS AND CALCULATIONS SIMILAR TO THIS SHEET AND DETAILED CALCULATIONS ON SHEET 2, STAMPED BY A PROFESSIONAL ENGINEER REGISTERED IN THE STATE OF FLORIDA.
- THE CONTRACTOR IS RESPONSIBLE FOR SAFETY, INSTALLATION, AND SPECIAL INSPECTIONS & TESTS PER FBC CHAPTER 17.

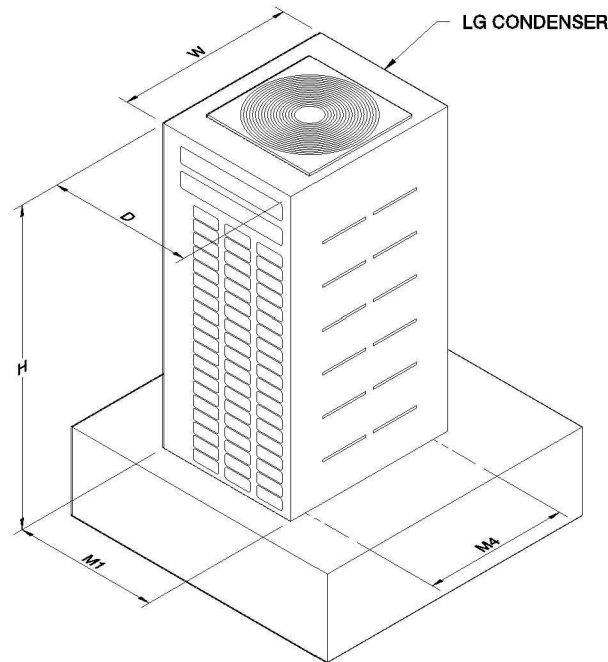
CALCULATIONS: SEE DETAILED CALCULATIONS ON SHEET 2.

WIND LATERAL AND VERTICAL FORCES:

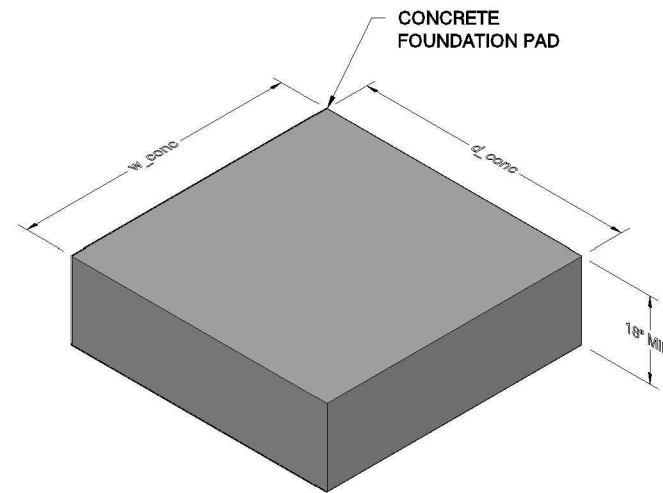
- THE WIND LOAD ACTING NORMAL TO THE LARGE VERTICAL SIDE OF THE AC UNIT IS USED FOR WORST CASE SHEAR.
- THE WIND LOAD ACTING ON THE TOP OF THE UNIT UPWARD AND THE HORIZONTAL WIND LOAD ARE USED TO CALCULATE UPLIFT AND MOMENT.
- THESE FORCES MUST BE RESISTED BY THE SHEAR AND TENSILE STRENGTHS OF THE ANCHORS HOLDING THE UNIT TO THE CONCRETE FOUNDATION. THE ANCHORAGES & MOUNTING ARE VERIFIED BY THIS ENGINEER TO BE WITHIN THE ALLOWABLE STRENGTHS OF ITS ELEMENTS AND CONNECTIONS.

ENCLOSURE FASTENERS:

- THE METAL SHELL FASTENERS MUST RESIST THE NEGATIVE WIND PRESSURES CAUSING TENSILE STRESS IN THE SCREWS AND PULL-OVER EFFECTS OF THE SHEET METAL.



GROUND MOUNT CONFIGURATION



CONCRETE PAD W/ TURNDOWN EDGE

CONCRETE FOUNDATION PAD STRENGTH LIMITS		
LIMIT TYPE	AMOUNT	UNITS
MAX SHEAR AT ANCHOR	0.200	KIP
MAX PULLOUT AT ANCHOR	0.626	KIP

FOUNDATION NOTES:

- FOUNDATION IS DESIGNED AND VERIFIED FOR THE FORCES DESCRIBED IN THIS DOCUMENT AS SUMMARIZED IN THE ENGINEERING CALCULATIONS INCLUDED.
- t_{conc} = FOUNDATION SLAB THICKNESS = 8" MIN.
- FOUNDATION HEIGHT AT EDGES = 18" MIN.
- FOUNDATION SHALL EXTEND MIN. 12" BELOW GROUND.
- w_{conc} = FOUNDATION WIDTH = 52" MIN, 72" MAX.
- d_{conc} = FOUNDATION DEPTH = 52" MIN, 72" MAX.
- TOP OF FOUNDATION PAD SHALL BE MIN. 4" ABOVE ADJACENT GRADE.
- AC UNIT MUST BE CENTERED ON FOUNDATION.
- AC UNIT IS ANCHORED TO CONCRETE SLAB W/ GALV 1/4" Ø HILTI KWIK BOLT 3 ANCHORS WITH MIN. 2" EMBED. IN CONCRETE. EACH ANCHOR CAPACITY IS COMBINED TENSION = 626 LBS AND SHEAR = 200 LBS.
- MIN. REINFORCEMENT SHALL BE ONE LAYER OF #4 BARS @ 14" EACH WAY, CENTERED IN THE CONCRETE.
- FOUNDATION SUBGRADE SHALL BE COMPACTED TO PROVIDE MIN. 1200 PSF ALLOWABLE BEARING PRESSURE.

OTHER NOTES:

- 1"± NON-METALLIC NON-SHRINK GROUT MAY BE USED UNDER THE MOUNTING PLATES.

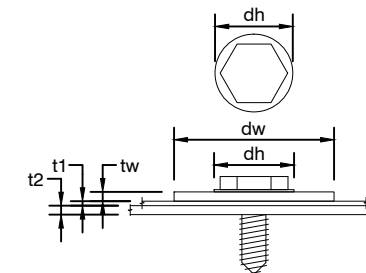
ENGINEERING CONFORMANCE ANALYSIS:

THE TABLE BELOW SHOWS DIMENSIONS, MIN FOUNDATION DEPTH & WIDTH, AND SHELL ENCLOSURE SCREWS FOR SOME MODELS OF LG ELECTRONICS USA HVAC OUTDOOR EQUIPMENT THAT MEET THE FOLLOWING ANALYSIS:

- FOUNDATION STRENGTH: STRENGTH TO RESIST UNIT WEIGHT AND WIND LOADS ON LATERAL AND VERTICAL SURFACES
- ANCHORS: PULLOUT AND SHEAR DUE TO OVERTURNING AND SLIDING FORCE IS WITHIN REQUIREMENTS
- EQUIPMENT METAL COVER FASTENERS: MIN NUMBER AND SIZE

MODELS: ARU_072_TE4										DESIGN CHECK W/ NOM/REQ'D >= 1.00 = OK		
MODEL #	CONDENSER DIMENSIONS					CONCRETE PAD	SHELL SCREWS	ANCHOR STRENGTH		METAL SHELL		
	W	D	H	M1	M4			Wt	MIN d_conc		MIN w_conc	ON LONG SIDE, QTY. & SIZE
ARUB072BTE4	36.25	29.94	66.13	29.06	31.19	442	52	52	16, #10	0.82	0.8	0.24
ARUB072DTE4	36.25	29.94	66.13	29.06	31.19	442	52	52	16, #10	0.82	0.8	0.24
ARUN072BTE4	36.25	29.94	66.13	29.06	31.19	442	52	52	16, #10	0.82	0.8	0.24
ARUN072DTE4	36.25	29.94	66.13	29.06	31.19	442	52	52	16, #10	0.82	0.8	0.24

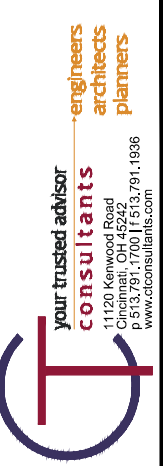
NOTE: THE CONCRETE PAD DIMENSIONS ARE MINIMUMS. CONCRETE PAD MAY BE BUILT TO SUPPORT MORE THAN ONE CONDENSER UNIT AS OUTLINED IN THE LG ELECTRONICS USA INSTALLATION MANUAL.



ENCLOSURE FASTENERS		
DESCRIPTION	SIZE	UNITS
SCREW SIZE (d)	#10	
INTEGRAL WASHER SIZE (dw)	0.50	IN
THICKNESS OF SHEET METAL (t1)	0.043	IN
MIN. THICKNESS OF FRAME (t2)	0.07	IN
DEPTH OF PENETRATION	0.25	IN
SCREW YIELD STRENGTH	55	KSI
ALLOWABLE TENSILE STRENGTH/SCREW	321	LBS
ALLOWABLE PULLOVER STRENGTH/SCREW	371	LBS
ALLOWABLE PULL-OUT STRENGTH/SCREW	170	LBS



11/10/2016 2:44 PM Benjamin Sugawara H:\2016\160387\DWG\Sheets\36-30-G-60.dwg Tab: 36-30-G-60-1



State of Florida
 Certificate of Authorization
 # 31626

DRAWING TITLE: 36-30-G-60 INFORMATION & DIAGRAMS
 PROJECT TITLE: LG ELECTRONICS USA HVAC OUTDOOR CONDENSING UNIT GROUND MOUNT CONFIGURATION

REVISIONS		SCALE	DATE
NO.	DESCRIPTION	NTS	10/28/16
DATE	BY	DRAWN BY	PROJECT MGR
		JDP	PCP
		PROJECT NO.	FLAT FILE
		160387	
DRAWING NO.		36-30-G-60	
SHEET		1 OF 2	

