

CODES:

FLORIDA BUILDING CODE 2014, 5TH EDITION
 ASCE STANDARD 7-2010
 MIAMI DADE WIND SPEED = 186 MPH

WIND DESIGN REQUIREMENTS:

ULTIMATE DESIGN WIND SPEED, Vult (3 sec. gust) 186 mph
 NOMINAL DESIGN WIND SPEED, Vasd 144 mph

RISK CATEGORY IV
 HEIGHT TO CENTROID 200 FT
 EXPOSURE CATEGORY D
 ENCLOSURE CATEGORY N/A
 EFFECTIVE WIND AREA N/A

INTERNAL PRESSURE COEFFICIENT GCp1 N/A
 DIRECTIONALITY FACTOR Kd 0.90
 TOPOGRAPHIC FACTOR Kzt 1.00
 GUST EFFECT FACTOR N/A

WIND LOAD METHOD:

VELOCITY PRESSURE:
 based on ASCE 7-10, Eq. 29.3-1
 $qz = 0.00256 Kz Kzt Kd V^2$ psf
 $Kz = 1.61$
 $V = Vult$
 $qz = 128.3$ psf

WIND PRESSURES:
 based on ASCE 7-10 Eq. 29.5.1 & FBC 1620.6
 $F = qh GCF Af$ psf Eq. 29.5-2
 $GCp = 0.9$ FOR LATERAL FORCES (ZONE 4)
 $GCp = 2.3$ FOR VERTICAL FORCES (ZONE 2)

**THIS DESIGN IS FOR
 LG HVAC UNITS AND
 WALL BRACKETS IN
 WALL WIND ZONE 4**

LOAD COMBINATIONS:

POSITIVE VERTICAL FORCE: $1.0 \cdot D + 0.6 \cdot W$ [FBC 1605.3.1 EQ. 16-12]
 SLIDING & ANCHOR PULLOUT: $0.6 \cdot D + 0.6 \cdot W$ [FBC 1605.3.1 EQ. 16-15]
 OVERTURNING: $0.67 \cdot D + 0.78 \cdot W$ [FBC 1605.3.2 EQ. 16-18]

GENERAL NOTES:

- THIS ENGINEERING REPORT DOCUMENTS THE ANALYSIS OF AC EQUIPMENT MOUNTED ON A WALL BRACKET AND THE ASSOCIATED ANCHORING SYSTEMS TO RESIST DEAD WEIGHT AND WIND LOAD FORCES.
- THE ANALYSIS CONFORMS TO THE REQUIREMENTS OF THE FLORIDA BUILDING CODE 2014 AND ASCE 7-2010, FOR USE WITHIN & OUTSIDE HVHZ.
- THE AC UNIT IS MOUNTED ON A METAL WALL BRACKET WHICH IS SECURED TO THE WALL. THE WALL IS DESIGNED BY OTHERS.
- ANCHORS USED TO FASTEN THE UNIT TO THE WALL BRACKET ARE A307 OR HIGHER STRENGTH STEEL BOLTS.
- THE WALL BRACKET IS DESIGNED AND VERIFIED BY STRUCTURAL ANALYSIS BY THIS ENGINEER.
- ALTERNATE WALL BRACKET DESIGNS THAT ARE DESIGNED TO RESIST THE ABOVE WIND LOADS MAY BE USED AT THE CONTRACTOR'S OPTION. FOR ALTERNATE WALL BRACKET DESIGNS, PROVIDE DETAILS AND CALCULATIONS SIMILAR TO THIS SHEET AND DETAILED CALCULATIONS ON SHEET 2, STAMPED BY A PROFESSIONAL ENGINEER REGISTERED IN THE STATE OF FLORIDA.
- THE CONTRACTOR IS REponsible FOR SAFETY, INSTALLATION, AND SPECIAL INSPECTIONS & TESTS PER FBC CHAPTER 17.

CALCULATIONS: SEE DETAILED CALCULATIONS ON SHEET 2.

LATERAL FORCES (SLIDING):

- THE WIND LOAD ACTING ON THE SIDE AND FRONT OF THE UNIT ACTING OUTWARD.
- THESE LATERAL FORCES MUST BE RESISTED BY THE SHEAR STRENGTH OF THE SUM OF THE ANCHORS BOTH HOLDING THE UNIT TO THE BRACKET AND THE BRACKET TO THE WALL.

MOMENT FORCE (OVERTURN):

- THE WIND LOAD ACTING ON THE SIDE AND FRONT OF THE AC UNIT WILL PIVOT THE UNIT ABOUT THE SIDE. THE FRONT WIND LOAD AND THE DEAD LOAD WILL PIVOT ABOUT THE BOTTOM. A SUM OF VECTORS IS ALSO CALCULATED.
- THIS PIVOTING FORCE MUST BE RESISTED BY THE WITHDRAWAL STRENGTH OF THE ANCHORS.

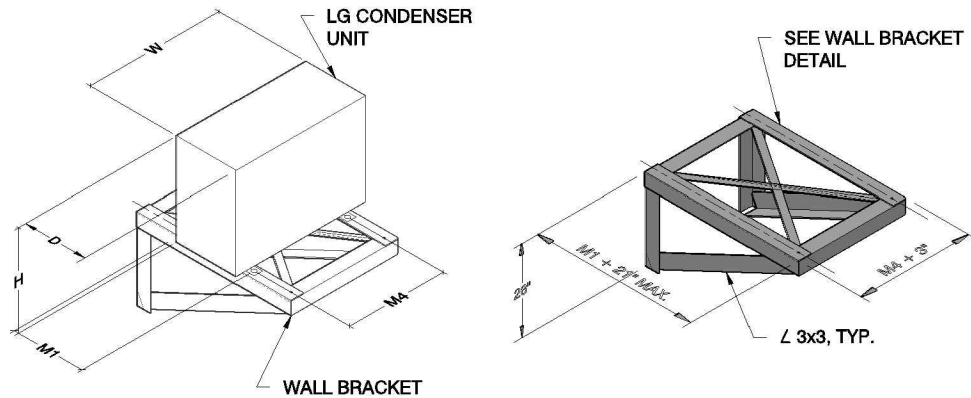
CLEARANCES:

- ANCHORS IN BRACKET METAL MUST HAVE EDGE CLEARANCES OF 1-1/2 DIAMETERS.
- ANCHORS IN CONCRETE BLOCK MUST BE AT LEAST 12" FROM THE EDGE OF THE WALL.

ANCHOR STRENGTH: SEE TABLE THIS DRAWING.

ENCLOSURE FASTENERS:

- THE METAL SHELL FASTENERS MUST RESIST THE NEGATIVE WIND PRESSURES CAUSING TENSILE STRESS IN THE SCREWS AND PULL-OVER EFFECTS OF THE SHEET METAL.

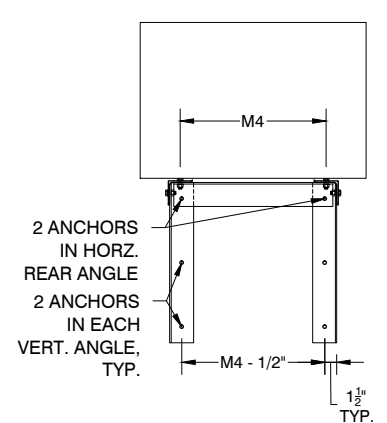
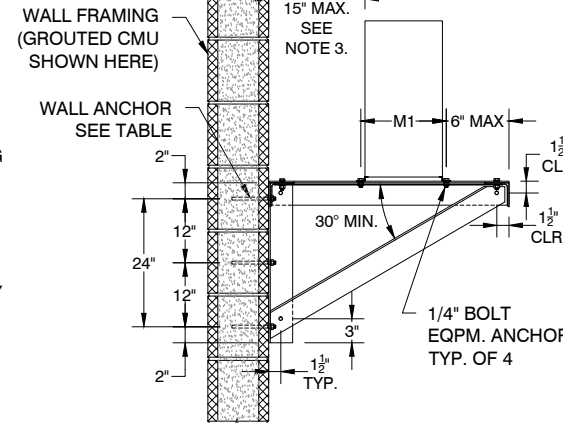
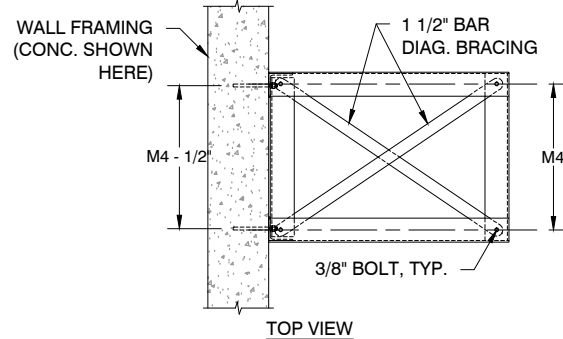


EQUIPMENT VIEW

SCALE:

WALL BRACKET VIEW

SCALE:



WALL BRACKET DETAIL

SCALE: 1/2" = 1'-0"

WALL BRACKET NOTES:

- WALL BRACKET IS DESIGNED AND VERIFIED FOR THE FORCES DESCRIBED IN THIS DOCUMENT AS SUMMARIZED IN THE ENGINEERING CALCULATIONS INCLUDED.
- WALL BRACKET HEIGHT = 20".
- LG HVAC UNIT SHALL BE MIN 12" CLEAR FROM EXTERIOR FACE OF FINISHED WALL.
- WALL BRACKETS SHALL BE EITHER ALL GALV STEEL MEMBERS WITH GALV BOLTS & ANCHORS, OR ALL ALUMINUM MEMBERS WITH STAINLESS STEEL BOLTS & ANCHORS (EXCEPT GALV ISOLATION ANCHORS FOR COLD FORMED STEEL STUD WALLS AND STRUCTURAL STEEL).

STEEL FABRICATION NOTES (SEE WALL BRACKET NOTE 4.):

- ALL MATERIAL SHALL BE GALVANIZED A36 STEEL WITH MIN $F_y = 36$ KSI.
- ALL JOINTS SHALL BE BOLTED WITH 3/8" DIAMETER GALV A307 BOLTS W/ LOCK WASHERS, OR WELDED CONTINUOUS W/ 3/16" FILLET (EXCEPT USE CONTINUOUS 1/8" FILLET WELD AT 1/8" MEMBERS).
- ALL STEEL ANGLES SHALL BE GALV L3X3X1/4.
- ALL STEEL DIAGONAL BRACING SHALL BE 1 1/2" X 1/8" GALV BARS.

ALUMINUM FABRICATION NOTES (SEE WALL BRACKET NOTE 4.):

- ALL MATERIAL SHALL BE ALUMINUM ALLOY 6061-T5 OR 6061-T6.
- ALL JOINTS SHALL BE BOLTED WITH 3/8" DIAMETER STAINLESS STEEL BOLTS W/ LOCK WASHERS, OR WELDED CONTINUOUS W/ 1/4" FILLET (EXCEPT USE CONTINUOUS 3/16" FILLET WELD AT 3/16" MEMBERS).
- ALL ALUMINUM ANGLES SHALL BE ALUMINUM L3X3X3/8.
- ALL ALUMINUM DIAGONAL BRACING SHALL BE 1 1/2" X 3/16" ALUMINUM BARS.

OTHER NOTES:

- EQUIPMENT SUPPORT IS NOT PART OF WALL BRACKET.

ENGINEERING CONFORMANCE ANALYSIS:

THE TABLE BELOW SHOWS DIMENSIONS AND SHELL ENCLOSURE SCREWS FOR SOME MODELS OF LG ELECTRONICS USA HVAC OUTDOOR EQUIPMENT THAT MEET THE FOLLOWING ANALYSIS:

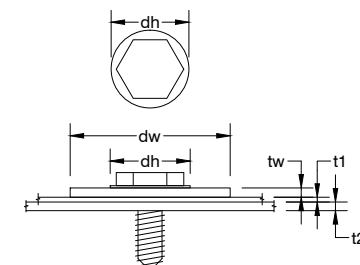
- WALL BRACKET STRENGTH: STRENGTH TO RESIST UNIT WEIGHT AND WIND LOADS ON LATERAL AND VERTICAL SURFACES
- WALL FRAME ANCHORS: PULLOUT AND SHEAR DUE TO UNIT WEIGHT AND WIND LOAD.
- EQUIPMENT METAL COVER FASTENERS: MIN NUMBER AND SIZE

MODEL #	CONDENSER DIMENSIONS					WALL FRAME HEIGHT (IN)	SHELL SCREWS ON LONG SIDE, QTY. & SIZE	STRENGTH				METAL SHELL	
	W	D	H	M1	M4			BOLT SHEAR	WALL ANCHOR SHEAR	WALL ANCHOR PULLOUT	BOLT TENSION		
LSU240HLV	34.25	12.63	31.50	14.19	21.50	124.56	28	8, #10	0.21	0.71	0.94	0.55	0.38
LSU300HLV	34.25	12.63	31.50	14.19	21.50	124.56	28	8, #10	0.21	0.71	0.94	0.55	0.38
LSU360HLV	34.25	12.63	31.50	14.19	21.50	124.56	28	8, #10	0.21	0.71	0.94	0.55	0.38
LAU180HYV1	34.25	12.63	31.50	14.19	21.50	132.3	28	8, #10	0.21	0.71	0.94	0.55	0.38
LSU180HSV4	34.25	12.63	31.50	14.19	21.50	120.2	28	8, #10	0.21	0.71	0.94	0.55	0.38
LAU240HSV2	34.25	12.63	31.50	14.19	21.50	132.3	28	8, #10	0.21	0.71	0.94	0.55	0.38
LAU240HYV1	34.25	12.63	31.50	14.19	21.50	132.3	28	8, #10	0.21	0.71	0.94	0.55	0.38
LAU240HSV3	34.25	12.63	31.50	14.19	21.50	127.8	28	8, #10	0.21	0.71	0.94	0.55	0.38
LSU240HSV3	34.25	12.63	31.50	14.19	21.50	127.8	28	8, #10	0.21	0.71	0.94	0.55	0.38
LSU243HLV	34.25	12.63	31.50	14.19	21.50	127.8	28	8, #10	0.21	0.71	0.94	0.55	0.38
LSU307HV3	34.25	12.63	31.50	14.19	21.50	127.8	28	8, #10	0.21	0.71	0.94	0.55	0.38
LSU360HV3	34.25	12.63	31.50	14.19	21.50	127.8	28	8, #10	0.21	0.71	0.94	0.55	0.38
LSU240HEV1	34.25	12.63	25.81	13.38	21.50	94.6	28	8, #10	0.17	0.72	0.76	0.47	0.31
LMU18CHV	34.25	12.63	25.78	13.38	21.50	99.2	28	8, #10	0.17	0.72	0.76	0.47	0.31
LMU24CHV	34.25	12.63	25.78	13.38	21.50	99.2	28	8, #10	0.17	0.72	0.76	0.47	0.31

WALL STRUCTURE	ANCHOR DESCRIPTION	EMBEDMENT LENGTH	MANUFACTURER	PULLOUT (LBS)	SHEAR (LBS)
CONCRETE	3/8" HILTI KWIK BOLT 3	2 1/2" EMBED	HILTI	1420	350
GROUTED CONCRETE MASONRY UNITS	3/8" HILTI HAS RODS W/ HIT-HY 200 ADHESIVE ANCHORAGE	4 1/2" EMBED	HILTI	1820	320
WOOD STUDS	3/8" LAG SCREW	3" EMBED	ANY	1690	400
COLD-FORMED STEEL STUDS 16 GA. (54 MILS)	(7) #12 SCREWS @ 3/4" X 3/4"	MIN 3 EXPOSED THREADS	ANY	1456	3677
COLD-FORMED STEEL STUDS 18 GA. (43 MILS)	(9) #12 SCREWS @ 3/4" X 3/4"	MIN 3 EXPOSED THREADS	ANY	1488	3360
STRUCTURAL STEEL	3/8" A307 BOLT	NOT APPLICABLE	ANY	2485	1491

WALL ANCHOR NOTES:

- Strengths for lag screws in wood are from NDS for wood construction 2005 for southern pine, $C_d = 1.6$, $C_m = 1.0$, main member $t_m = 3.5"$, side member $t_s = 7$ ga mtl. Strengths for other anchors are from manufacturer's specs. with min. safety factor of 4.
- Poured concrete wall is min. 3000 psi. Concrete block is medium weight, or lightweight, with $f_g = 2500$ psi normal weight grout and max. one anchor per half block.
- Wood stud wall is nominal 2"x4" with anchor centered in stud.
- Anchors for steel wall brackets shall be galvanized. Anchors for aluminum wall brackets shall be stainless steel (except at steel studs and structural steel, use galvanized isolation screws that prevent direct contact between the aluminum and the galvanized anchors).
- Install anchors per manufacturer's recommendations.



DESCRIPTION	SIZE	UNITS
SCREW SIZE (d)	#10	
INTEGRAL WASHER SIZE (dw)	0.50	IN
THICKNESS OF SHEET METAL (t1)	0.043	IN
MIN. THICKNESS OF FRAME (t2)	0.07	IN
DEPTH OF PENETRATION	0.25	IN
SCREW YIELD STRENGTH	55	KSI
ALLOWABLE TENSILE STRENGTH/SCREW	321	LBS
ALLOWABLE PULLOVER STRENGTH/SCREW	371	LBS
ALLOWABLE PULL-OUT STRENGTH/SCREW	170	LBS



11/17/2016 3:47 PM Jonathan Peel H:\2016\160387\DWG\Sheets\34-12-W-128-Z4.dwg Tab: #####

your trusted advisor
consultants
 engineers
 architects
 planners

11120 Kenwood Road
 Cincinnati, OH 45242
 p 513.791.1700 | f 513.791.1936
 www.dccconsultants.com

State of Florida
 Certificate of Authorization
 # 31626

34-12-W-128-Z4 INFORMATION & DIAGRAMS
 LG ELECTRONICS USA HVAC
 OUTDOOR CONDENSING UNIT WALL
 MOUNT CONFIGURATION

NO.	DATE	DESCRIPTION	SCALE	DATE
1				11/11/16

DRAWN BY: JDP PROJECT MGR: PCP
 PROJECT NO: 160387 FLAT FILE:
 DRAWING NO: 34-12-W-128
 Z4
 SHEET 1 OF 2

ENGINEERING CALCULATION DETAIL SHEET

Outdoor Condensor Units on Wall Bracket - Suitability Verification
Designed by: Paul C. Perrin, PE, SE

DESIGN METHODOLOGY: ASD

OBJECTIVE:
Determine Wind Load on AC unit mounted on wall bracket using ASCE 7 (2010), Section 29.5. Confirm stability, wall bracket strength, anchor configuration and strength, and equipment envelope fastening.

WIND LOAD: (See also "Wind Design Requirements" on Sheet 1)

Vult = 186 mph (FBC 2014 1620.2) for Miami-Dade, Risk Category IV

From "29.3 Velocity Pressure" for Building Height = 200'
 $qz = 0.00256 \cdot Kz \cdot Kzt \cdot Kd \cdot V^2 = 128.3 \text{ psf}$ (Eq. 29.3-1)
From ASCE 7 Chapter 30 "Wind Loads - Components & Cladding"
Table 30-6.1 for Building h > 60 ft.

F = qz(GCp)Af
Fvertical (uplift) = 128.3 psf * (2.3) * Af = 295 psf x Area (ft²)
Fvertical (down) = 128.3 psf * (0.9) * Af = 115 psf x Area (ft²)
Flateral = 128.3 psf * (0.9) * Af = 115 psf x Area (ft²)

Example AC Unit:

Use LSU180HSV4 in Table w/ dims (W, D, H, Wt) = (34.25", 12.625", 31.5", 120.2 lbs)

Example Anchors:

3/8" HILTI KWIK BOLT 3 with 2 1/2" embedment with capacity of combined pullout load of 1420# and shear load of 350#.

WIND LOAD FORCES:

Top Area = 34.25" * 12.625" / (144 in²/ft²) = 3.00 sf
Fw vertical (Fw_vert) = 295 psf * 3.00 sf = 886 lbs (unfactored)
Fw vertical downward (Fw_vert_down) = 115 psf * 3.00sf = 347 lbs (unfactored)
Long Side Area = 34.25" * 31.5" / (144 in²/ft²) = 7.49 sf
Fw lateral (Fw_lat_out) = 115 psf * 7.49 sf = 865 lbs (unfactored)
Short Side Area = 12.625" * 31.5" / (144 in²/ft²) = 2.76 sf
Fw lateral (Fw_lat_edge) = 115 psf * 2.76 sf = 319 lbs (unfactored)

LOAD COMBINATIONS:

0.67D + 0.78W for overturning FBC 1605.3.2 Eq. 16-18
0.6D + 0.6W for sliding and anchors FBC 1605.3.1 Eq. 16-15

VERIFY BOLT SHEAR RESISTANCE TO AC UNIT SLIDING:

Shear Vbolt = 0.6 * √ (Fw_lat_out² + Fw_lat_edge²) = 138 lbs
Rn / Ω = 1491# * 4 bolts = 5964 lbs > 138 lbs

Resistance to Bolt Shear Checks OK

VERIFY WALL ANCHOR SHEAR RESISTANCE:

Shear Vwall = 0.6 * √ [(Fw_vert - Wt)² + Fw_lat_edge²] = 249 lbs
Wall Anchor Shear Capacity = 350# * 4 bolts = 1400 lbs > 249 lbs

Resistance to Wall Anchor Shear Checks OK

CHECK ANCHOR PULLOUT FROM MOMENT ABOUT BOTTOM OF BRACKET:

Consider downward vertical wind load with equal pressure to lateral suction wind load on wall.

Moment Mbot =
= 0.78 * Fw_lat_out * (H/2 + 24" + 4") + (0.67 * Wt + 0.78 * Fw_vert_down) * (D/2 + 15")
= 36.337 kip*in

Wall Anchor Pullout Capacity = 1420 lbs > Mbot / [2 anchors * (24" + 2")] = 699 lbs
Resistance to Wall Anchor Pullout Checks OK

THE CALCULATIONS ON THE DRAWING ARE REPRESENTATIVE OF THE FOLLOWING LG ELECTRONICS OUTDOOR CONDENSING UNITS:

LSU240HLV
LSU300HLV
LSU360HLV
LAU180HYV1
LSU180HSV4
LAU240HSV2
LAU240HYV1
LAU240HSV3
LSU240HSV3
LSU243HLV
LSU307HV3
LSU360HV3
LSU240HEV1
LMU18CHV
LMU24CHV

SINCE THIS DESIGN IS BASED ON WIND PRESSURE, qz, THIS DESIGN IS ALSO SUITABLE FOR THE FOLLOWING CASES:

- MIAMI DADE WIND SPEED = 186 MPH, RISK CATEGORY IV, EXPOSURE CATEGORY C, HEIGHT UP TO 320 FT.
- MIAMI DADE WIND SPEED = 186 MPH, RISK CATEGORY II, EXPOSURE CATEGORY D, HEIGHT UP TO 398 FT.
- BROWARD WIND SPEED = 180 MPH, RISK CATEGORY IV, EXPOSURE CATEGORY D, HEIGHT UP TO 289 FT.

THIS DESIGN IS FOR HVAC UNITS AND WALL BRACKETS IN WALL WIND ZONE 4. HVAC UNITS AND WALL BRACKETS SHALL NOT BE WITHIN 3 FEET OF ANY BUILDING CORNER OR TOP OF WALL. FOR THIS PURPOSE, A BUILDING CORNER IS DEFINED AS ANYWHERE TWO EXTERIOR WALLS INTERSECT.

DESIGN METHODOLOGY: ASD

CHECK ANCHOR PULLOUT FROM MOMENT ABOUT SIDE OF BRACKET:

Moment Mside = 0.78 * Fw_lat_edge * (D/2 + 15") + 0.78 * Fw_lat_out * (M4/2 + 1.5")
= 13.571 kip*in

Wall Anchor Pullout Capacity = 1420 lbs > Mside / M4 = 13.571 kip*in / 21.50" = 631 lbs
Resistance to Wall Anchor Pullout Checks OK

CHECK ANCHOR PULLOUT FROM COMBINED MOMENTS:

Mbot / [2 anchors * (24" + 2") * R_pullout] + Mside / (1 anchor * M4 * R_pullout) = 0.937 < 1.00
Resistance to Wall Anchor Pullout Checks OK

CHECK MOMENT AND BOLT TENSION OF BRACKET BOLT:

Moment Mot = 0.78 * Fw_lat_out * H/2 + (0.78 * Fw_vert - 0.67 * Wt) * M4 / 2
= 18.084 kip*in

Bolt Tension Capacity = 2485lbs > Mot / (2 bolts * M1) = 18.084 kip*in / (2 * 13.375") = 629 lbs
Resistance to Overturning Checks OK

CHECK DIAGONAL BRACING:

Mside / 1.5" = 13.571 kip*in / 1.5" = 9047 lbs > R_pullout = 1420 lbs
Therefore, horizontal diagonal bracing is required at the top angles of the bracket.

Use X-brace with 1/8" x 1.5" bars.

Tension capacity R_bar = 1.5" * 0.125" * 36 ksi / Ω
= 1.5" * 0.125" * 36 ksi / 1.67
= 4.04 kip

Bar Tension = 0.6 * Fw_lat_edge * (M1/2 + 15") / (M1 + 15") * √ [M4² + (M1 + 15")²] / M4
= 0.244 kip < 4.04 kip

Diagonal Bracing Resistance to Tension Checks OK

CHECK SHEET METAL ENVELOPE FASTENER RESISTANCE:

Analysis based on AISI S100-2007 "Cold Formed Steel Structural Members" Section E4: Screw Connections

Use Load Combination FBC 1605.3.1 Eq. 16-15

0.6D + 0.6W

On long side worst case

0.60 * Fw_lat_out = 0.60 * 865# = 519 lbs

Resistance to the metal shell pull-off is the minimum of the tensile strength of the screw and the pull-over strength of the sheet metal.

Inputs:

#10 screw, d = 0.19" with integral 0.5"-diameter washer

Thickness of metal shell, t1 = 0.043" (18 gauge)

Depth of penetration of screw into frame, tc = 0.25"

Strength of screw, Fu = 55 ksi

Based on the above data:

Allowable tensile of the screw, Pts/Ω = 321 lbs per screw (where Ω = 3.0)

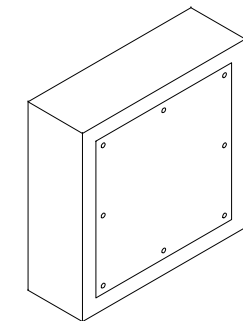
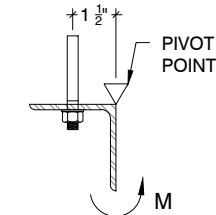
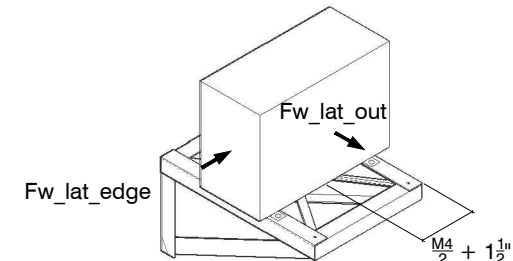
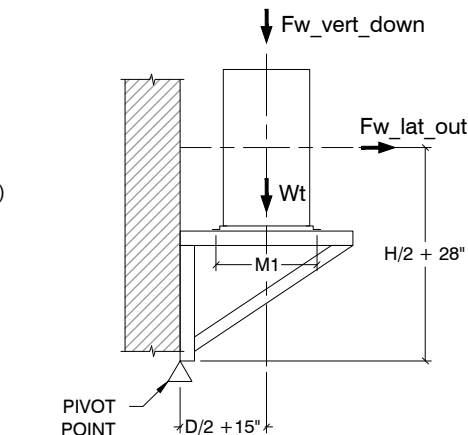
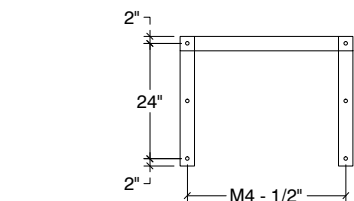
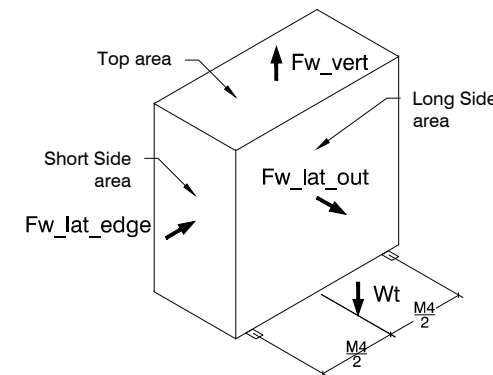
Allowable Pull-out strength, Pnot/Ω = 170 lbs per screw

Allowable Pull-over strength, Pnov/Ω = 371 lbs per screw

Therefore the min number of screws per long side = 519# / 170#/screw = 3.05 screws

Rounds up to min 4 screws per side, use 8 screws for symmetry and spacing.

Anchor Resistance to Metal Enclosure Pull-Off Checks OK.



SCREW PATTERN

SCALE: NTS



State of Florida
Certificate of Authorization
31626

34-12-W-128-Z4 CALCULATIONS

LG ELECTRONICS USA HVAC
OUTDOOR CONDENSING UNIT WALL
MOUNT CONFIGURATION

DRAWING TITLE
PROJECT TITLE

NO.	DATE	DESCRIPTION

SCALE	DATE
NTS	11/11/16

DRAWN BY	PROJECT MGR
JDP	PCP

PROJECT NO.	FLAT FILE
160387	

DRAWING NO.
34-12-W-128

Z4

SHEET	OF
2	2



your trusted advisor
consultants
architects
planners

11120 Kenwood Road
Cincinnati, OH 45242
p 513.791.1700 | f 513.791.1936
www.cticonsultants.com