

**CODES:**

FLORIDA BUILDING CODE 2014, 5TH EDITION  
 ASCE STANDARD 7-2010  
 MIAMI DADE WIND SPEED = 186 MPH

**WIND DESIGN REQUIREMENTS:**

ULTIMATE DESIGN WIND SPEED, Vult (3 sec. gust) 186 mph  
 NOMINAL DESIGN WIND SPEED, Vasd 144 mph

RISK CATEGORY IV  
 HEIGHT TO CENTROID 200 FT  
 EXPOSURE CATEGORY D  
 ENCLOSURE CATEGORY N/A  
 EFFECTIVE WIND AREA N/A

INTERNAL PRESSURE COEFFICIENT GCp1 N/A  
 DIRECTIONALITY FACTOR Kd 0.90  
 TOPOGRAPHIC FACTOR Kzt 1.00  
 GUST EFFECT FACTOR N/A

**WIND LOAD METHOD:**

VELOCITY PRESSURE:  
 based on ASCE 7-10, Eq. 29.3-1  
 $qz = 0.00256 Kz Kzt Kd V^2$  psf  
 $Kz = 1.61$   
 $V = Vult$   
 $qz = 128.3$  psf

WIND PRESSURES:  
 based on ASCE 7-10 Eq. 29.5.1 & FBC 1620.6  
 $F = qh GCf Af$  psf Eq 29.5-2  
 $GCp = 0.9$  FOR LATERAL FORCES (ZONE 4)  
 $GCp = 2.3$  FOR VERTICAL FORCES (ZONE 2)

**THIS DESIGN IS FOR  
 LG HVAC UNITS AND  
 WALL BRACKETS IN  
 WALL WIND ZONE 4**

**LOAD COMBINATIONS:**

POSITIVE VERTICAL FORCE:  $1.0 \cdot D + 0.6 \cdot W$  [FBC 1605.3.1 EQ. 16-12]  
 SLIDING & ANCHOR PULLOUT:  $0.6 \cdot D + 0.6 \cdot W$  [FBC 1605.3.1 EQ. 16-15]  
 OVERTURNING:  $0.67 \cdot D + 0.78 \cdot W$  [FBC 1605.3.2 EQ. 16-18]

**GENERAL NOTES:**

- THIS ENGINEERING REPORT DOCUMENTS THE ANALYSIS OF AC EQUIPMENT MOUNTED ON A WALL BRACKET AND THE ASSOCIATED ANCHORING SYSTEMS TO RESIST DEAD WEIGHT AND WIND LOAD FORCES.
- THE ANALYSIS CONFORMS TO THE REQUIREMENTS OF THE FLORIDA BUILDING CODE 2014 AND ASCE 7-2010, FOR USE WITHIN & OUTSIDE HVHZ.
- THE AC UNIT IS MOUNTED ON A METAL WALL BRACKET WHICH IS SECURED TO THE WALL. THE WALL IS DESIGNED BY OTHERS.
- ANCHORS USED TO FASTEN THE UNIT TO THE WALL BRACKET ARE A307 OR HIGHER STRENGTH STEEL BOLTS.
- THE WALL BRACKET IS DESIGNED AND VERIFIED BY STRUCTURAL ANALYSIS BY THIS ENGINEER.
- ALTERNATE WALL BRACKET DESIGNS THAT ARE DESIGNED TO RESIST THE ABOVE WIND LOADS MAY BE USED AT THE CONTRACTOR'S OPTION. FOR ALTERNATE WALL BRACKET DESIGNS, PROVIDE DETAILS AND CALCULATIONS SIMILAR TO THIS SHEET AND DETAILED CALCULATIONS ON SHEET 2, STAMPED BY A PROFESSIONAL ENGINEER REGISTERED IN THE STATE OF FLORIDA.
- THE CONTRACTOR IS RESPONSIBLE FOR SAFETY, INSTALLATION, AND SPECIAL INSPECTIONS & TESTS PER FBC CHAPTER 17.

CALCULATIONS: SEE DETAILED CALCULATIONS ON SHEET 2.

**LATERAL FORCES (SLIDING):**

- THE WIND LOAD ACTING ON THE SIDE AND FRONT OF THE UNIT ACTING OUTWARD.
- THESE LATERAL FORCES MUST BE RESISTED BY THE SHEAR STRENGTH OF THE SUM OF THE ANCHORS BOTH HOLDING THE UNIT TO THE BRACKET AND THE BRACKET TO THE WALL.

**MOMENT FORCE (OVERTURN):**

- THE WIND LOAD ACTING ON THE SIDE AND FRONT OF THE AC UNIT WILL PIVOT THE UNIT ABOUT THE SIDE. THE FRONT WIND LOAD AND THE DEAD LOAD WILL PIVOT ABOUT THE BOTTOM. A SUM OF VECTORS IS ALSO CALCULATED.
- THIS PIVOTING FORCE MUST BE RESISTED BY THE WITHDRAWAL STRENGTH OF THE ANCHORS.

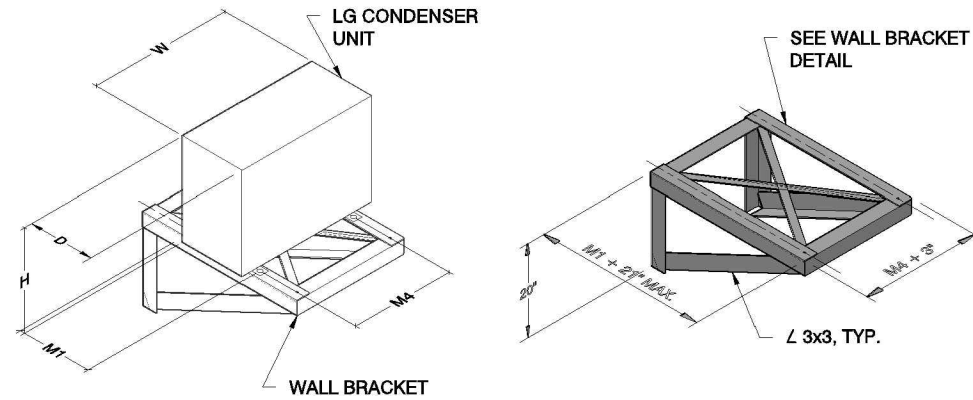
**CLEARANCES:**

- ANCHORS IN BRACKET METAL MUST HAVE EDGE CLEARANCES OF 1-1/2 DIAMETERS.
- ANCHORS IN CONCRETE BLOCK MUST BE AT LEAST 12" FROM THE EDGE OF THE WALL.

ANCHOR STRENGTH: SEE TABLE THIS DRAWING.

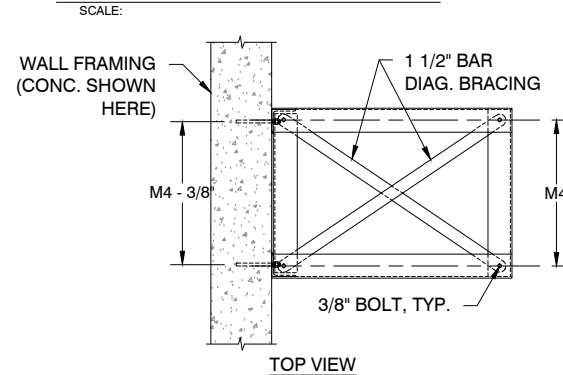
**ENCLOSURE FASTENERS:**

- THE METAL SHELL FASTENERS MUST RESIST THE NEGATIVE WIND PRESSURES CAUSING TENSILE STRESS IN THE SCREWS AND PULL-OVER EFFECTS OF THE SHEET METAL.

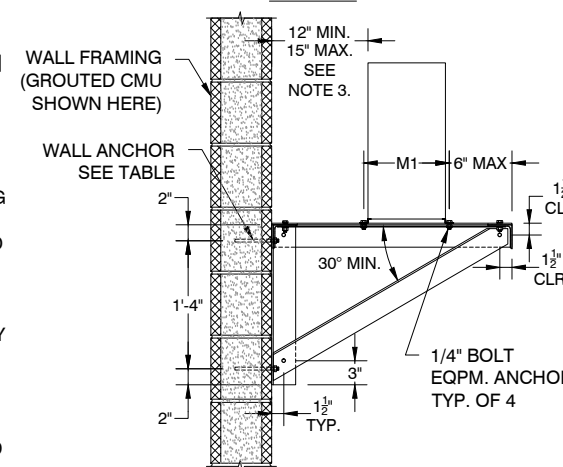


**EQUIPMENT VIEW**

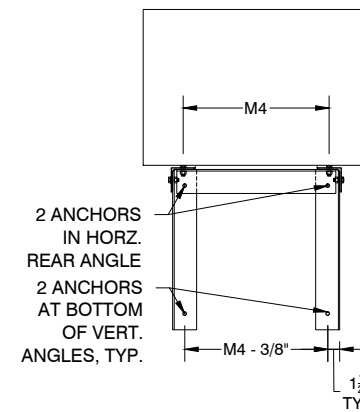
**WALL BRACKET VIEW**



**TOP VIEW**



**SIDE VIEW**



**FRONT VIEW**

**WALL BRACKET DETAIL**

SCALE: 1/2" = 1'-0"

**WALL BRACKET NOTES:**

- WALL BRACKET IS DESIGNED AND VERIFIED FOR THE FORCES DESCRIBED IN THIS DOCUMENT AS SUMMARIZED IN THE ENGINEERING CALCULATIONS INCLUDED.
- WALL BRACKET HEIGHT = 20".
- LG HVAC UNIT SHALL BE MIN 12" CLEAR FROM EXTERIOR FACE OF FINISHED WALL.
- WALL BRACKETS SHALL BE EITHER ALL GALV STEEL MEMBERS WITH GALV BOLTS & ANCHORS, OR ALL ALUMINUM MEMBERS WITH STAINLESS STEEL BOLTS & ANCHORS (EXCEPT GALV ISOLATION ANCHORS FOR COLD FORMED STEEL STUD WALLS AND STRUCTURAL STEEL).

**STEEL FABRICATION NOTES (SEE WALL BRACKET NOTE 4.):**

- ALL MATERIAL SHALL BE GALVANIZED A36 STEEL WITH MIN Fy = 36 KSI.
- ALL JOINTS SHALL BE BOLTED WITH 3/8" DIAMETER GALV A307 BOLTS W/ LOCK WASHERS, OR WELDED CONTINUOUS W/ 3/16" FILLET (EXCEPT USE CONTINUOUS 1/8" FILLET WELD AT 1/8" MEMBERS).
- ALL STEEL ANGLES SHALL BE GALV L3X3X3/16.
- ALL STEEL DIAGONAL BRACING SHALL BE 1 1/2" X 1/8" GALV BARS.

**ALUMINUM FABRICATION NOTES (SEE WALL BRACKET NOTE 4.):**

- ALL MATERIAL SHALL BE ALUMINUM ALLOY 6061-T5 OR 6061-T6.
- ALL JOINTS SHALL BE BOLTED WITH 3/8" DIAMETER STAINLESS STEEL BOLTS W/ LOCK WASHERS, OR WELDED CONTINUOUS W/ 1/4" FILLET (EXCEPT USE CONTINUOUS 3/16" FILLET WELD AT 3/16" MEMBERS).
- ALL ALUMINUM ANGLES SHALL BE ALUMINUM L3X3X1/4.
- ALL ALUMINUM DIAGONAL BRACING SHALL BE 1 1/2" X 3/16" ALUMINUM BARS.

**OTHER NOTES:**

- EQUIPMENT SUPPORT IS NOT PART OF WALL BRACKET.

**ENGINEERING CONFORMANCE ANALYSIS:**

THE TABLE BELOW SHOWS DIMENSIONS AND SHELL ENCLOSURE SCREWS FOR SOME MODELS OF LG ELECTRONICS USA HVAC OUTDOOR EQUIPMENT THAT MEET THE FOLLOWING ANALYSIS:

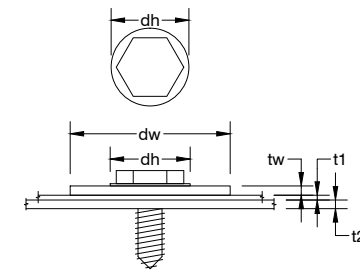
- WALL BRACKET STRENGTH: STRENGTH TO RESIST UNIT WEIGHT AND WIND LOADS ON LATERAL AND VERTICAL SURFACES
- WALL FRAME ANCHORS: PULLOUT AND SHEAR DUE TO UNIT WEIGHT AND WIND LOAD.
- EQUIPMENT METAL COVER FASTENERS: MIN NUMBER AND SIZE

MODELS: LSU090H__, LSU120H__								DESIGN CHECK W/ NOM/REQ'D >= 1.00 = OK				
MODEL #	CONDENSER DIMENSIONS					WALL BRACKET HEIGHT (IN)	ON LONG SIDE, QTY. & SIZE	STRENGTH			METAL SHELL	
	W	D	H	M1	M4			BOLT SHEAR	WALL ANCHOR SHEAR	WALL ANCHOR PULLOUT		BOLT TENSION
LSU090HXV	28.25	9.69	19.50	10.03	18.22	66.1	4, #10	0.11	0.78	0.63	0.32	0.39
LSU120HXV	28.25	9.69	19.50	10.03	18.22	66.1	4, #10	0.11	0.78	0.63	0.32	0.39
LSU090HEV1	28.25	9.69	19.50	10.03	18.22	61.7	4, #10	0.11	0.78	0.63	0.32	0.39
LSU120HEV1	28.25	9.69	19.50	10.03	18.22	61.7	4, #10	0.11	0.78	0.63	0.32	0.39

WALL ANCHOR TYPE AND STRENGTH (ASD LOADS)					
WALL STRUCTURE	ANCHOR DESCRIPTION	EMBEDMENT LENGTH	MANUFACTURER	PULLOUT (LBS)	SHEAR (LBS)
CONCRETE	3/8" HILTI KWIK BOLT 3	2" EMBED	HILTI	1140	200
GROUTED CONCRETE MASONRY UNITS	3/8" HILTI HAS RODS W/ HIT-HY 200 ADHESIVE ANCHORAGE	4" EMBED	HILTI	1420	220
WOOD STUDS	3/8" LAG SCREW	2" EMBED	ANY	1126	400
COLD-FORMED STEEL STUDS 16 GA. (54 MILS)	(4) #12 SCREWS @ 3/4" X 3/4"	MIN 3 EXPOSED THREADS	ANY	832	2101
COLD-FORMED STEEL STUDS 18 GA. (43 MILS)	(6) #12 SCREWS @ 3/4" X 3/4"	MIN 3 EXPOSED THREADS	ANY	992	2240
STRUCTURAL STEEL	3/8" A307 BOLT	NOT APPLICABLE	ANY	2485	1491

**WALL ANCHOR NOTES:**

- Strengths for lag screws in wood are from NDS for wood construction 2005 for southern pine, Cd=1.6, Cm=1.0, main member tm=3.5", side member ts= 7 ga mtl. Strengths for other anchors are from manufacturer's specs. with min. safety factor of 4.
- Poured concrete wall is min. 3000 psi. Concrete block is medium weight, or lightweight, with fg=2500 psi normal weight grout and max. one anchor per half block.
- Wood stud wall is nominal 2"x4" with anchor centered in stud.
- Anchors for steel wall brackets shall be galvanized. Anchors for aluminum wall brackets shall be stainless steel (except at steel studs and structural steel, use galvanized isolation screws that prevent direct contact between the aluminum and the galvanized anchors).
- Install anchors per manufacturer's recommendations.



ENCLOSURE FASTENERS		
DESCRIPTION	SIZE	UNITS
SCREW SIZE (d)	#10	
INTEGRAL WASHER SIZE (dw)	0.50	IN
THICKNESS OF SHEET METAL (t1)	0.043	IN
MIN. THICKNESS OF FRAME (t2)	0.07	IN
DEPTH OF PENETRATION	0.25	IN
SCREW YIELD STRENGTH	55	KSI
ALLOWABLE TENSILE STRENGTH/SCREW	321	LBS
ALLOWABLE PULLOVER STRENGTH/SCREW	371	LBS
ALLOWABLE PULL-OUT STRENGTH/SCREW	170	LBS



State of Florida  
 Certificate of Authorization  
 # 31626

28-09-W-128-Z4 INFORMATION & DIAGRAMS  
 LG ELECTRONICS USA HVAC  
 OUTDOOR CONDENSING UNIT WALL  
 MOUNT CONFIGURATION

DATE	BY	DESCRIPTION	SCALE	DATE
11/11/16	JDP	PCP		

PROJECT NO: 160387  
 FLAT FILE  
 DRAWING NO: 28-09-W-128  
 Z4  
 SHEET 1 OF 2

11/17/2016 3:23 PM Jonathan Peel  
 H:\2016\160387\DWG\Sheets\28-09-W-128-Z4.dwg Tab: #####

# ENGINEERING CALCULATION DETAIL SHEET

Outdoor Condensor Units on Wall Bracket - Suitability Verification  
 Designed by: Paul C. Perrin, PE, SE

DESIGN METHODOLOGY: ASD

**OBJECTIVE:**

Determine Wind Load on AC unit mounted on wall bracket using ASCE 7 (2010), Section 29.5. Confirm stability, wall bracket strength, anchor configuration and strength, and equipment envelope fastening.

WIND LOAD: (See also "Wind Design Requirements" on Sheet 1)

Vult = 186 mph (FBC 2014 1620.2) for Miami-Dade, Risk Category IV

From "29.3 Velocity Pressure" for Building Height = 200'  
 $qz = 0.00256 * Kz * Kzt * Kd * V^2 = 128.3 \text{ psf}$  (Eq. 29.3-1)  
 From ASCE 7 Chapter 30 "Wind Loads - Components & Cladding"  
 Table 30-6.1 for Building h > 60 ft.

$F = qz(GCp)Af$   
 Fvertical (uplift) =  $128.3 \text{ psf} * (2.3) * Af = 295 \text{ psf} * \text{Area (ft}^2)$   
 Fvertical (down) =  $128.3 \text{ psf} * (0.9) * Af = 115 \text{ psf} * \text{Area (ft}^2)$   
 Flateral =  $128.3 \text{ psf} * (0.9) * Af = 115 \text{ psf} * \text{Area (ft}^2)$

**Example AC Unit:**

Use LSU090HXV in Table w/ dims (W, D, H, Wt) = ( 28.25", 9.69", 19.5", 61.7 lbs)

**Example Anchors:**

3/8" HILTI KWIK BOLT 3 with 2" embedment with capacity of combined pullout load of 1140# and shear load of 200#.

**WIND LOAD FORCES:**

Top Area =  $28.25" * 9.69" / (144 \text{ in}^2/\text{ft}^2) = 1.90 \text{ sf}$   
 Fw vertical (Fw\_vert) =  $295 \text{ psf} * 1.90 \text{ sf} = 561 \text{ lbs}$  (unfactored)  
 Fw vertical downward (Fw\_vert\_down) =  $115 \text{ psf} * 1.90 \text{ sf} = 220 \text{ lbs}$  (unfactored)  
 Long Side Area =  $28.25" * 19.5" / (144 \text{ in}^2/\text{ft}^2) = 3.83 \text{ sf}$   
 Fw lateral (Fw\_lat\_out) =  $115 \text{ psf} * 3.83 \text{ sf} = 442 \text{ lbs}$  (unfactored)  
 Short Side Area =  $9.69" * 19.5" / (144 \text{ in}^2/\text{ft}^2) = 1.31 \text{ sf}$   
 Fw lateral (Fw\_lat\_edge) =  $115 \text{ psf} * 1.31 \text{ sf} = 152 \text{ lbs}$  (unfactored)

**LOAD COMBINATIONS:**

0.67D + 0.78W for overturning FBC 1605.3.2 Eq. 16-18  
 0.6D + 0.6W for sliding and anchors FBC 1605.3.1 Eq. 16-15

**VERIFY BOLT SHEAR RESISTANCE TO AC UNIT SLIDING:**

Shear Vbolt =  $0.6 * \sqrt{(Fw\_lat\_out^2 + Fw\_lat\_edge^2)} = 280 \text{ lbs}$   
 $Rn / \Omega = 663\# * 4 \text{ bolts} = 2652 \text{ lbs} > 280 \text{ lbs}$

Resistance to Bolt Shear Checks OK

**VERIFY WALL ANCHOR SHEAR RESISTANCE:**

Shear Vwall =  $0.6 * \sqrt{(Fw\_vert - Wt)^2 + Fw\_lat\_edge^2} = 313 \text{ lbs}$   
 Wall Anchor Shear Capacity =  $200\# * 4 \text{ bolts} = 800 \text{ lbs} > 313 \text{ lbs}$

Resistance to Wall Anchor Shear Checks OK

**CHECK ANCHOR PULLOUT FROM MOMENT ABOUT BOTTOM OF BRACKET:**

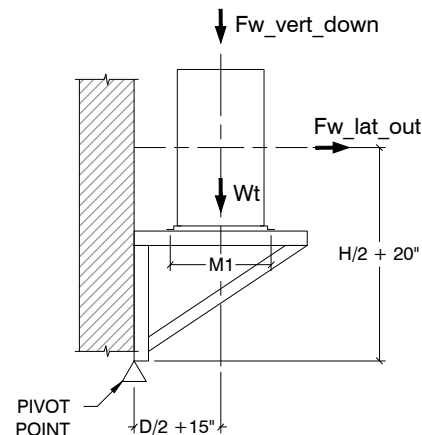
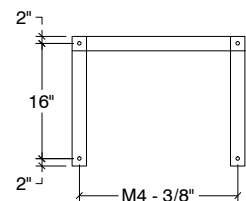
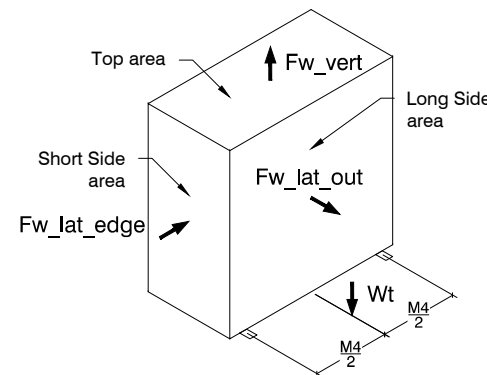
Consider downward vertical wind load with equal pressure to lateral suction wind load on wall.

Moment Mbot =  $0.78 * Fw\_lat\_out * (H/2 + 16" + 4") + (0.67 * Wt + 0.78 * Fw\_vert\_down) * (D/2 + 15")$   
 $= 14.126 \text{ kip*in}$

Wall Anchor Pullout Capacity =  $1140 \text{ lbs} > Mbot / [2 \text{ anchors} * (16" + 2")] = 392 \text{ lbs}$   
 Resistance to Wall Anchor Pullout Checks OK

THE CALCULATIONS ON THE DRAWING ARE REPRESENTATIVE OF THE FOLLOWING LG ELECTRONICS OUTDOOR CONDENSING UNITS:

LSU090HXV
LSU120HXV
LSU090HEV1
LSU120HEV1



SINCE THIS DESIGN IS BASED ON WIND PRESSURE, qz, THIS DESIGN IS ALSO SUITABLE FOR THE FOLLOWING CASES:

- MIAMI DADE WIND SPEED = 186 MPH, RISK CATEGORY IV, EXPOSURE CATEGORY C, HEIGHT UP TO 320 FT.
- MIAMI DADE WIND SPEED = 186 MPH, RISK CATEGORY II, EXPOSURE CATEGORY D, HEIGHT UP TO 398 FT.
- BROWARD WIND SPEED = 180 MPH, RISK CATEGORY IV, EXPOSURE CATEGORY D, HEIGHT UP TO 289 FT.

THIS DESIGN IS FOR HVAC UNITS AND WALL BRACKETS IN WALL WIND ZONE 4. HVAC UNITS AND WALL BRACKETS SHALL NOT BE WITHIN 3 FEET OF ANY BUILDING CORNER OR TOP OF WALL. FOR THIS PURPOSE, A BUILDING CORNER IS DEFINED AS ANYWHERE TWO EXTERIOR WALLS INTERSECT.

DESIGN METHODOLOGY: ASD

**CHECK ANCHOR PULLOUT FROM MOMENT ABOUT SIDE OF BRACKET:**

Moment Mside =  $0.78 * Fw\_lat\_edge * (D/2 + 15") + 0.78 * Fw\_lat\_out * (M4/2 + 1.5")$   
 $= 6.00 \text{ kip*in}$

Wall Anchor Pullout Capacity =  $1140 \text{ lbs} > Mside / M4 = 6.00 \text{ kip*in} / 18.22" = 329 \text{ lbs}$   
 Resistance to Wall Anchor Pullout Checks OK

**CHECK ANCHOR PULLOUT FROM COMBINED MOMENTS:**

Mbot / [ 2 anchors \* (16" + 2") \* R\_pullout ] + Mside / (1 anchor \* M4 \* R\_pullout) =  $0.633 < 1.00$   
 Resistance to Wall Anchor Pullout Checks OK

**CHECK MOMENT AND BOLT TENSION OF BRACKET BOLT:**

Moment Mot =  $0.78 * Fw\_lat\_out * H/2 + (0.78 * Fw\_vert - 0.67 * Wt) * M4 / 2$   
 $= 6.97 \text{ kip*in}$

Bolt Tension Capacity =  $1104 \text{ lbs} > Mot / (2 \text{ bolts} * M1) = 6.97 \text{ kip*in} / (2 * 10.03") = 347 \text{ lbs}$   
 Resistance to Overturning Checks OK

**CHECK DIAGONAL BRACING:**

Mside / 1.5" =  $6.00 \text{ kip*in} / 1.5" = 4000 \text{ lbs} > R\_pullout = 1140 \text{ lbs}$   
 Therefore, horizontal diagonal bracing is required at the top angles of the bracket.  
 Use X-brace with 1/8" x 1.5" bars.

Tension capacity R\_bar =  $1.5" * 0.125" * 36 \text{ ksi} / \Omega$   
 $= 1.5" * 0.125" * 36 \text{ ksi} / 1.67$   
 $= 4.04 \text{ kip}$

Bar Tension =  $0.6 * Fw\_lat\_edge * (M1/2 + 15") / (M1 + 15") * \sqrt{[M4^2 + (M1 + 15")^2]} / M4$   
 $= 0.124 \text{ kip} < 4.04 \text{ kip}$

Diagonal Bracing Resistance to Tension Checks OK

**CHECK SHEET METAL ENVELOPE FASTENER RESISTANCE:**

Analysis based on AISI S100-2007 "Cold Formed Steel Structural Members" Section E4:Screw Connections  
 Use Load Combination FBC 1605.3.1 Eq. 16-15

0.6D + 0.6W  
 On long side worst case  
 $0.60 * Fw\_lat\_out = 0.60 * 442\# = 265 \text{ lbs}$

Resistance to the metal shell pull-off is the minimum of the tensile strength of the screw and the pull-over strength of the sheet metal.

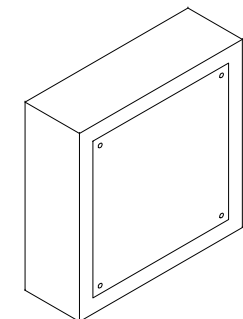
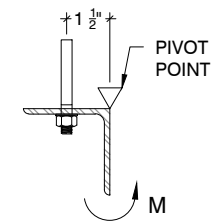
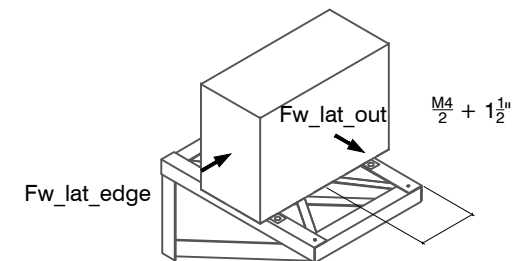
**Inputs:**

#10 screw, d = 0.19" with integral 0.5"-diameter washer  
 Thickness of metal shell, t1 = 0.043" (18 gauge)  
 Depth of penetration of screw into frame, tc = 0.25"  
 Strength of screw, Fu1 = 55 ksi

**Based on the above data:**

Allowable tensile of the screw, Pts/Ω = 321 lbs per screw (where Ω = 3.0)  
 Allowable Pull-out strength, Pnot/Ω = 170 lbs per screw  
 Allowable Pull-over strength, Pnov/Ω = 371 lbs per screw  
 Therefore the min number of screws per long side =  $265\# / 170\#/\text{screw} = 1.56 \text{ screws}$   
 Rounds up to min 2 screws per side, use 4 screws for symmetry. (1 EACH CORNER)

Anchor Resistance to Metal Enclosure Pull-Off Checks OK.



**SCREW PATTERN**

SCALE: NTS



State of Florida  
 Certificate of Authorization  
 # 31626

28-09-W-128-Z4 CALCULATIONS

LG ELECTRONICS USA HVAC  
 OUTDOOR CONDENSING UNIT WALL  
 MOUNT CONFIGURATION

DRAWING TITLE

PROJECT TITLE

REVISIONS

NO. DATE DESCRIPTION

SCALE DATE

DRAWN BY PROJECT MGR

PROJECT NO. FLAT FILE

160387

DRAWING NO.

28-09-W-128  
 Z4

SHEET 2 OF 2

