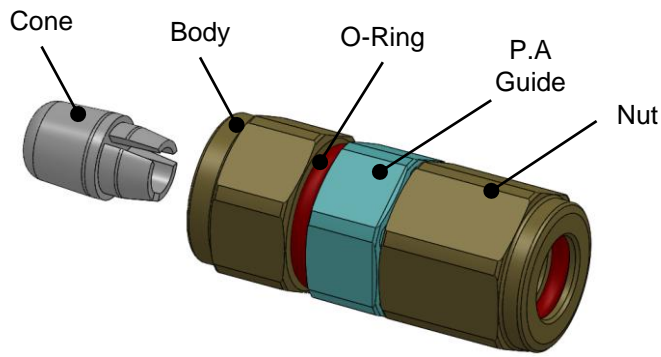
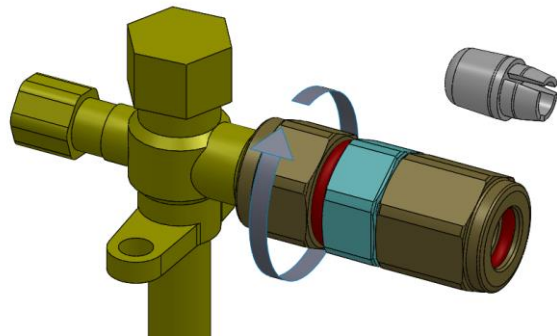


# INSTALLATION GUIDE (EDUCATION)

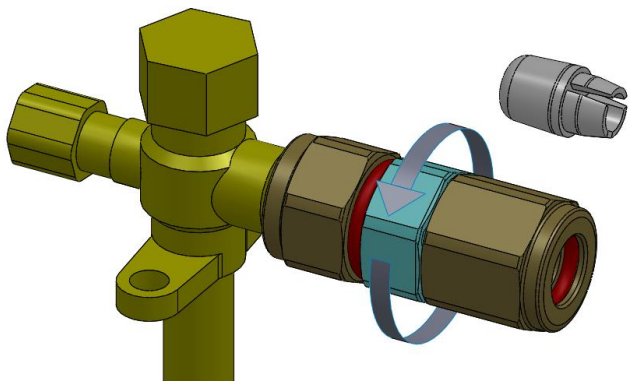
## - FLARE CONNECTOR EZ FITTING



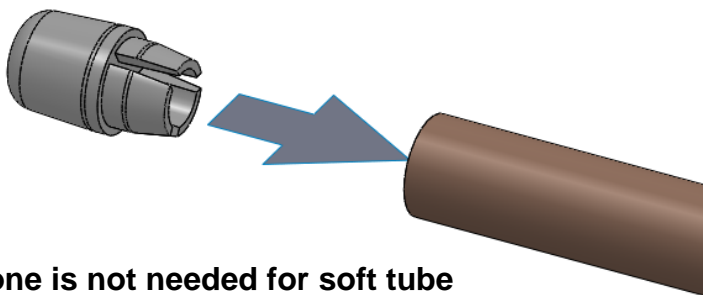
- 1 Assemble flare Connector to 45° flare male. Hand tighten Body as much as possible**



- 2 Release Nut and P.A guide together from the Body**

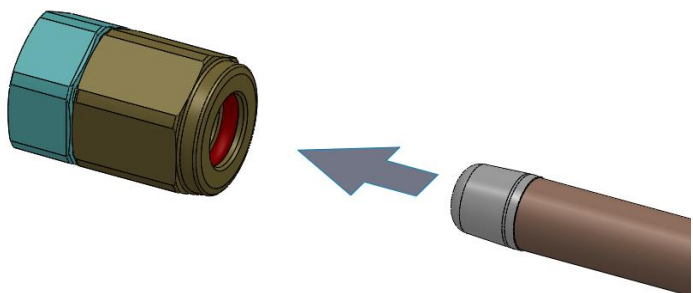


- 3 Install the Cone into hard tube after deburring the tube**

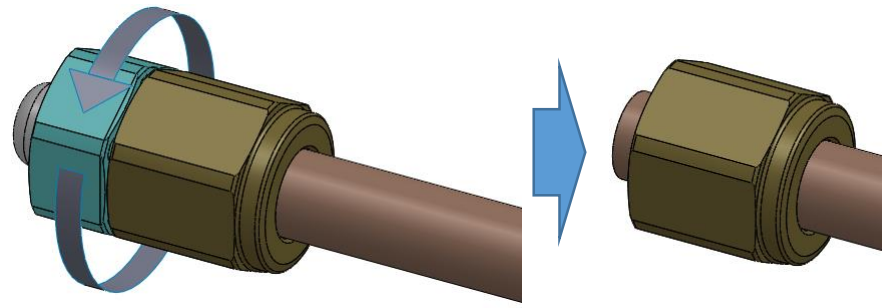


Cone is not needed for soft tube

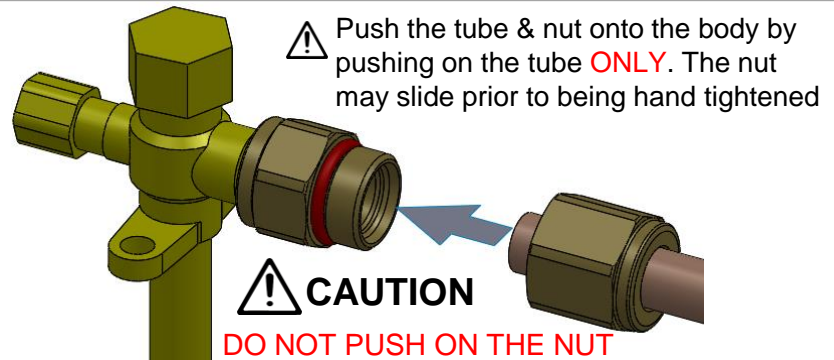
- 4 Insert the coned tube onto the Nut & P. A. Guide assembly**



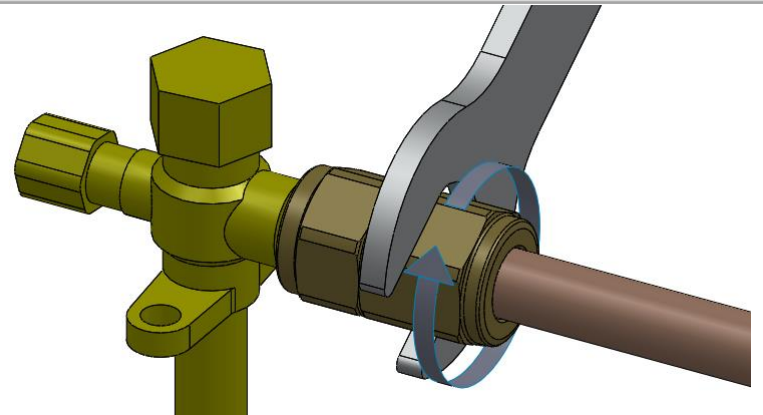
- 5 Release P.A Guide and Cone from Nut**



- 6 Hand tighten the Nut onto the Body**



- 7 Fasten with wrench until there is no gap between Nut & Body and Red O-ring is invisible**



### ⚠ CAUTION

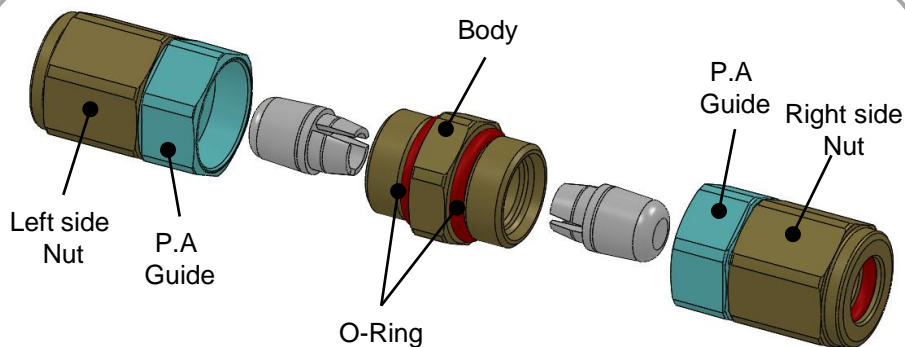
1. DO NOT REUSE
2. DO NOT REMOVE NUT FROM TUBE GUIDE PRIOR TO ASSEMBLY
3. REMOVE BURRS FROM TUBING WITH CHAMFERING OR DEBURRING TOOL
4. DO NOT USE DAMAGED TUBE AT 1 1/2" FROM THE END OF THE TUBE
5. DO NOT BEND TUBE AFTER CONNECTION IS MADE
6. DO NOT USE OTHER THAN FOR INTENDED USE



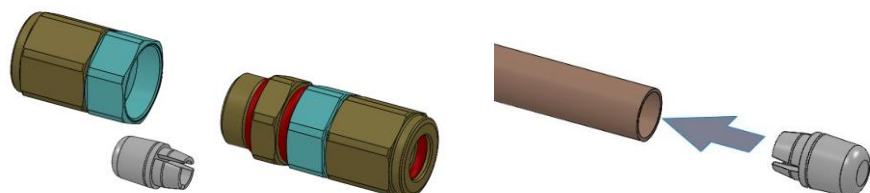
131 Daniel Webster Hwy, Suite 520 Nashua, NH 03060  
 TEL: 980-333-4530 / FAX: 908-231-2094  
 sales@smartlockfitting.com  
 www.smartlockfitting.com

# INSTALLATION GUIDE (EDUCATION)

## - UNION & REDUCER EZ FITTING

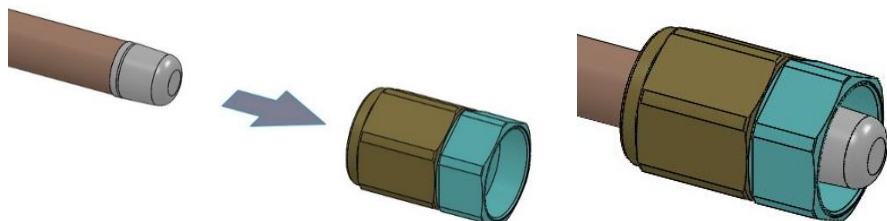


**1 Install Cone on hard tube after deburring the tube**

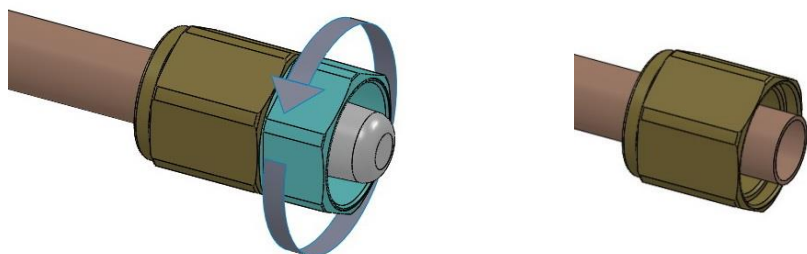


Cone is not needed for soft tube

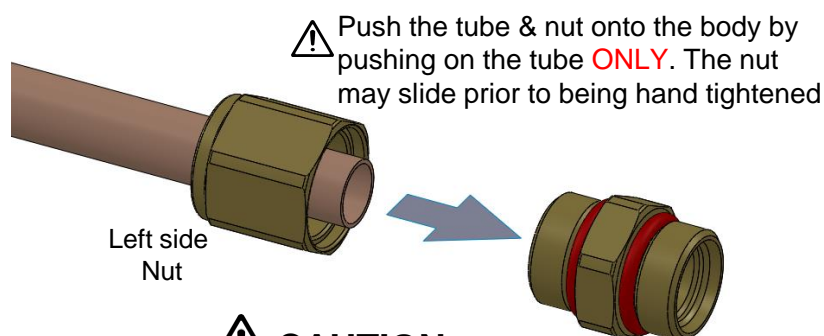
**2 Insert the coned tube to the nut assembly until the cone pass through P.A. guide**



**3 Release P.A Guide and Cone**

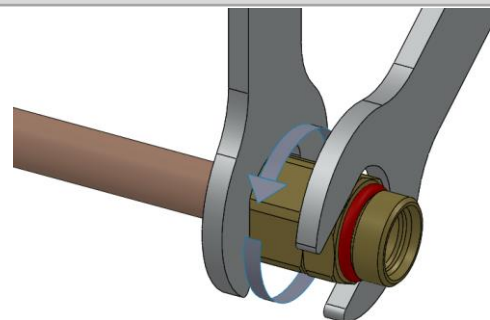


**4 Hand tighten Union Body as much as possible**

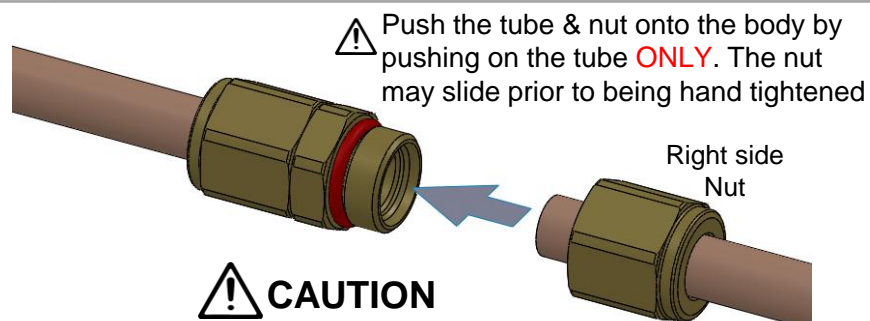


**CAUTION**  
DO NOT PUSH ON THE NUT

**5 Fasten with wrenches until there is no gap between nut & body and red O-ring is invisible**

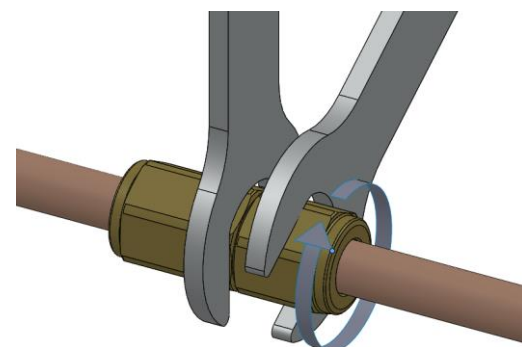


**6 Hand tighten the right side nut after the same process of left side nut (1 to 3)**



**CAUTION**  
DO NOT PUSH ON THE NUT

**7 Fasten with wrenches until there is no gap between Nut & Body and Red O-ring is invisible**



**CAUTION**

1. DO NOT REUSE
2. DO NOT REMOVE NUT FROM TUBE GUIDE PRIOR TO ASSEMBLY
3. REMOVE BURRS FROM TUBING WITH CHAMFERING OR DEBURRING TOOL
4. DO NOT USE DAMAGED TUBE AT 1 1/2" FROM THE END OF THE TUBE
5. DO NOT BEND TUBE AFTER CONNECTION IS MADE
6. DO NOT USE OTHER THAN FOR INTENDED USE



131 Daniel Webster Hwy, Suite 520 Nashua, NH 03060  
 TEL: 980-333-4530 / FAX: 908-231-2094  
 sales@smartlockfitting.com  
 www.smartlockfitting.com