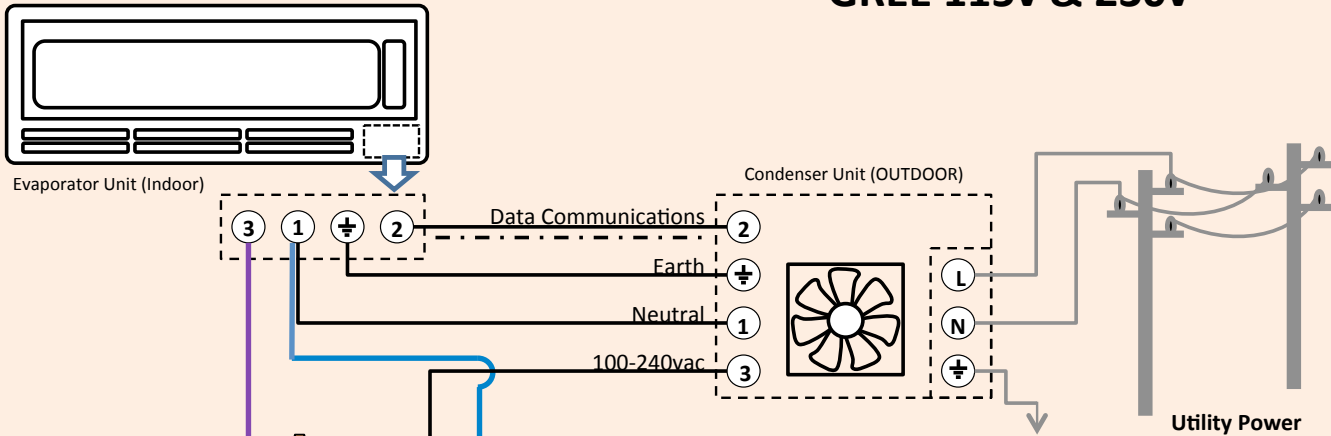


Below are examples of how REFCO pumps can be installed. For reference only.

When Indoor Evaporator Unit is powered from the Outdoor Condenser Unit

## GREE 115v & 230v



### Alarm Relay Operation Table

Power Up LED flash Sequence		Or	
Pump Status	Condensate Level	Default Operation	Fail-Safe Operation
Unpowered Or (Pump Failure)	N/A	NO <input type="checkbox"/> COM <input checked="" type="checkbox"/> NC <input checked="" type="checkbox"/>	NO <input type="checkbox"/> COM <input checked="" type="checkbox"/> NC <input checked="" type="checkbox"/>
Powered	Below Alarm Level	NO <input checked="" type="checkbox"/> COM <input type="checkbox"/> NC <input type="checkbox"/>	NO <input checked="" type="checkbox"/> COM <input type="checkbox"/> NC <input type="checkbox"/>
Powered	Alarm Activated	NO <input type="checkbox"/> COM <input checked="" type="checkbox"/> NC <input type="checkbox"/>	NO <input type="checkbox"/> COM <input checked="" type="checkbox"/> NC <input type="checkbox"/>

#### To Change Alarm Relay Operation

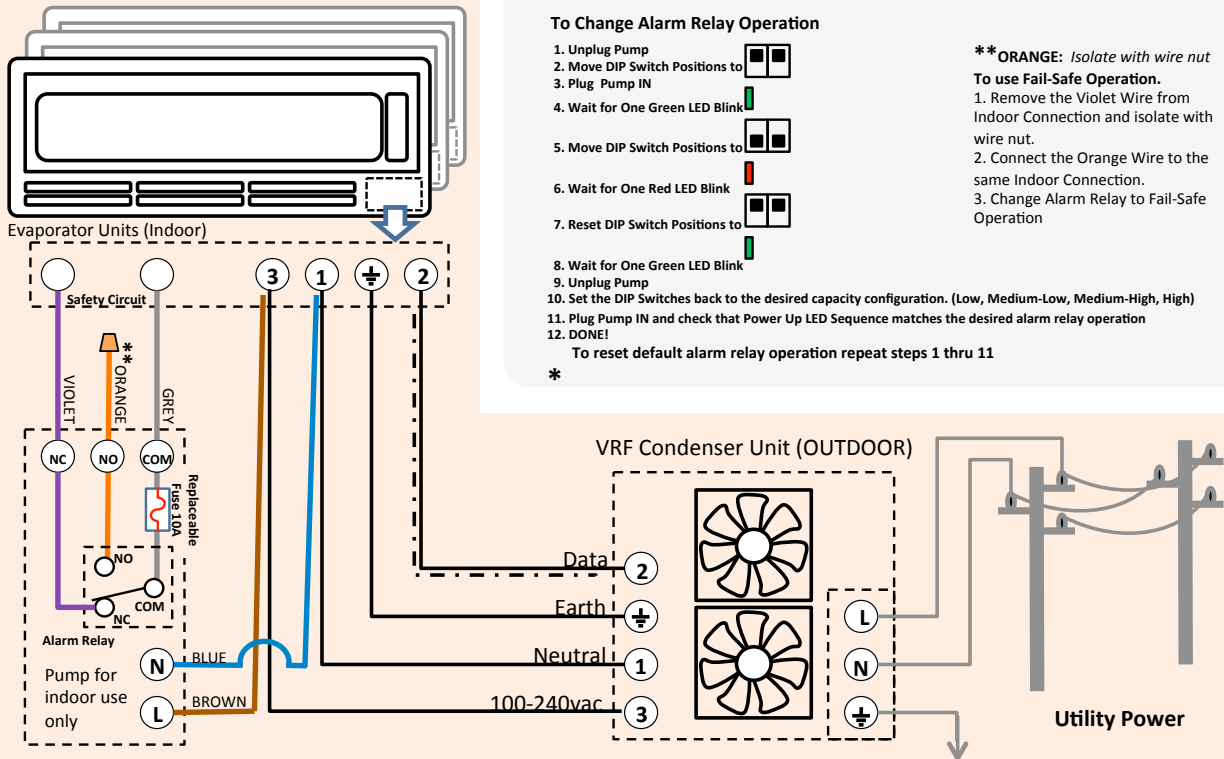
1. Unplug Pump
2. Move DIP Switch Positions to
3. Plug Pump IN
4. Wait for One Green LED Blink
5. Move DIP Switch Positions to
6. Wait for One Red LED Blink
7. Reset DIP Switch Positions to
8. Wait for One Green LED Blink
9. Unplug Pump
10. Set the DIP Switches back to the desired capacity configuration. (Low, Medium-Low, Medium-High, High)
11. Plug Pump IN and check that Power Up LED Sequence matches the desired alarm relay operation
12. DONE!

To reset default alarm relay operation repeat steps 1 thru 11

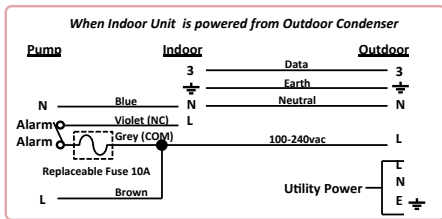
\*

- \*\*ORANGE:** Isolate with wire nut
- To use Fail-Safe Operation.**
1. Remove the Violet Wire from Indoor Connection and isolate with wire nut.
  2. Connect the Orange Wire to the same Indoor Connection.
  3. Change Alarm Relay to Fail-Safe Operation

When Multi-Split System is Installed



20mm x 40mm



20mm x 40mm

