



Sustainable Coils

Built to Last!

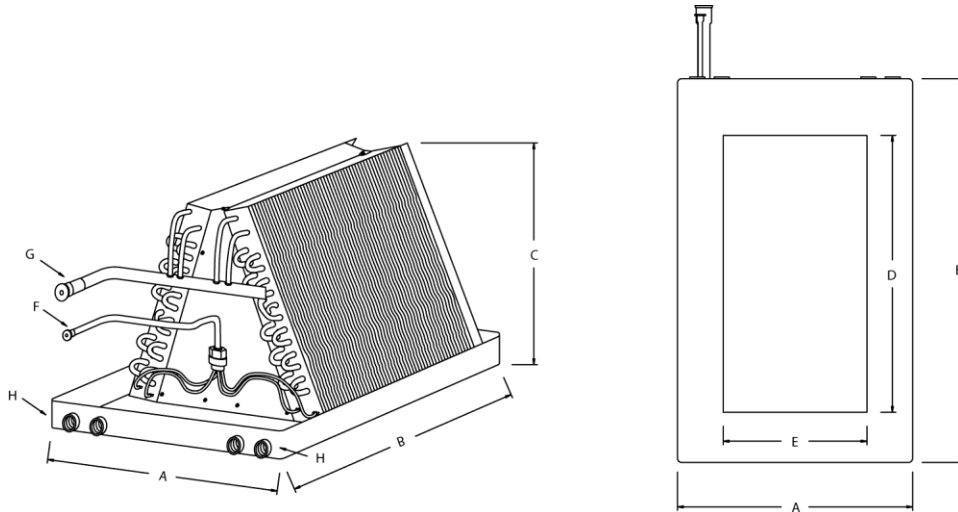
Page 1:	Index
Page 2:	Uncased stock replacement coils
Page 3:	Cased stock replacement coils
Page 4:	Mobile Home replacement coils
Page 5:	Horizontal slab replacement coils
Page 6:	RCTWE replacement coils introduction
Page 7:	RCTWE replacement coils line art
Pages 8-11:	RCTWE Trane/American Standard cross reference
Page 12:	Carrier/ICP F-series replacement coils introduction
Page 13:	Carrier/ICP F-series replacement coils line art
Pages 14-18:	Carrier/Bryant/Payne F-series cross reference
Pages 19-22:	ICP F-series cross reference
Page 23:	ICP EPA-EXA replacement coils introduction
Page 24:	ICP EPA-EXA replacement coils line art
Page 25:	ICP EPA-EXA replacement coils cross reference
Page 26:	Nordyne replacement coils line art
Pages 27-28:	Nordyne replacement coils cross reference
Page 29:	Expansion valve and piston utilization charts
Page 30:	Internal Refrigerant Volume “IRV” formula

Sustainable Coils

Built to Last!

STOCK REPLACEMENT A-COIL

Revision Date: 10/17/16



COIL MODEL	A	B	C	D	E	F	G	H
1024A13	13	19 1/2	10 1/2	15 1/2	5 1/2	3/8	3/4	3/4
1024A16	16	19 1/2	10 1/2	15 1/2	8 1/2	3/8	3/4	3/4
1036A13	13	19 1/2	14 1/2	15 1/2	5 1/2	3/8	3/4	3/4
1036A16	16	19 1/2	14 1/2	15 1/2	8 1/2	3/8	3/4	3/4
1036A20	20	19 1/2	14 1/2	15 1/2	12 1/2	3/8	3/4	3/4
1048A16	16	19 1/2	18 1/2	15 1/2	8 1/2	3/8	7/8	3/4
1048A20	20	19 1/2	18 1/2	15 1/2	12 1/2	3/8	7/8	3/4
1048A23	23	19 1/2	18 1/2	15 1/2	15 1/2	3/8	7/8	3/4
1060A20	20	19 1/2	22 1/2	15 1/2	12 1/2	3/8	7/8	3/4
1060A23	23	19 1/2	22 1/2	15 1/2	15 1/2	3/8	7/8	3/4

Low profile 3 row replacement coils

3/8 O.D. UNIGUARD® by Luvata copper alloy tubing to block formicary corrosion

Aluminum end plates to protect against rust corrosion

Aluminum fins spaced at 14 FPI for proper air flow in replacement applications

Plastic drain pans in popular widths, nylon resin is UL 94, 5VFR rated and U.V. safe

Piston metered for R-22 application, additional R-410A piston available upon request

R-22 and R-410A expansion valve kits available upon request

Pre-swaged refrigerant connections, shipped with dry nitrogen holding charge

Internal Refrigerant Volumes: 1024A=94.08, 1036A=131.71, 1048A=169.34, 1060A=206.98

Five year replacement warranty

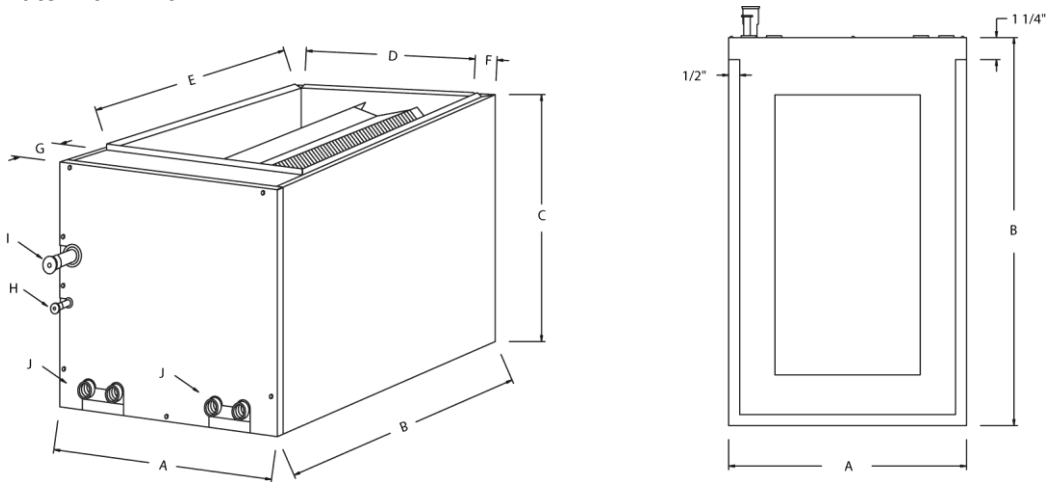
Visit our website www.SustainableCoils.com for further information regarding our complete product line.

Sustainable Coils

Built to Last!

Stock Replacement A-Coils Cased

Revision Date: 10/17/16



COIL MODEL	A	B	C	D	E	F	G	H	I	J
1024A13-C	14 1/2	21 1/4	14	12 3/4	18 3/4	7/8	1 5/8	3/8	3/4	3/4
1024A16-C	17 1/2	21 1/4	14	15 3/4	18 3/4	7/8	1 5/8	3/8	3/4	3/4
1036A13-C	14 1/2	21 1/4	16	12 3/4	18 3/4	7/8	1 5/8	3/8	3/4	3/4
1036A16-C	17 1/2	21 1/4	16	15 3/4	18 3/4	7/8	1 5/8	3/8	3/4	3/4
**1036A20-C	21	21 1/4	18	19 1/4	18 3/4	7/8	1 5/8	3/8	3/4	3/4
1048A16-C	17 1/2	21 1/4	20	15 3/4	18 3/4	7/8	1 5/8	3/8	7/8	3/4
1048A20-C	21	21 1/4	20	19 1/4	18 3/4	7/8	1 5/8	3/8	7/8	3/4
**1048A23-C	24 1/2	21 1/4	20	22 3/4	18 3/4	7/8	1 5/8	3/8	7/8	3/4
1060A20-C	21	21 1/4	24	19 1/4	18 3/4	7/8	1 5/8	3/8	7/8	3/4
1060A23-C	24 1/2	21 1/4	24	22 3/4	18 3/4	7/8	1 5/8	3/8	7/8	3/4

**Denotes limited stock item-contact factory for availability

3/8 O.D. UNIGUARD® by Luvata copper alloy tubing to block formicary corrosion
 Aluminum end plates to protect against rust corrosion
 Louvered fins spaced at 14 FPI for proper air flow in replacement applications
 Piston metered for R-22 refrigerant, additional R-410A piston optional
 R-22 and R-410A expansion valve kits available upon request
 Plastic drain pans, nylon resin is UL 94, 5VFR and U.V. safe
 22 ga. G-90 galvanized cabinets with 1/2" foil backed insulation in popular sizes
 Heal punched access door for removal without disconnecting line sets or drains
 Pre-swaged refrigerant connections, shipped with dry nitrogen holding charge
 Internal refrigerant volumes: 1024A=94.08, 1036A=131.71, 1048A=169.34, 1060A=206.98
 Five year replacement warranty

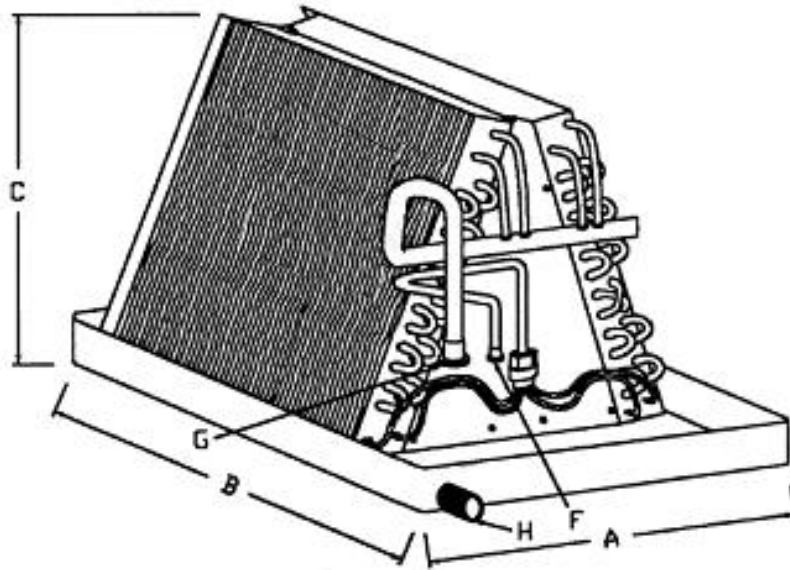
Visit our website www.SustainableCoils.com for further information regarding our complete product line.

Sustainable Coils

Built to Last!

MOBILE HOME COIL DIMENSIONS

Revision Date: 10/17/16



COIL MODEL	A	B	C	F	G	H
1024A-MH	18	19 1/2	16 1/2	3/8	3/4	3/4
1036A-MH	18	19 1/2	14 1/2	3/8	3/4	3/4
1048A-MH	18	19 1/2	18 1/2	3/8	7/8	3/4
1064A-MH	18	19 1/2	18 1/2	3/8	7/8	3/4

Hairpin Tube: 3/8 O.D. UNIGUARD® by Luvata copper alloy tubing
Rows/FPI: 2 rows, 14 FPI: 1024A-MH
3 rows, 14 FPI: 1036A-MH, 1048A-MH
4 rows, 12 FPI: 1064A-MH
End Plates: Aluminum
Surface Area (sq. ft.): 1024A=3.56, 1036A=3.11, 1048A=4.00, 1064A=4.00
Metering: Piston metered for R-22 refrigerant, additional 410A piston optional
Refrigerant connections: Pre-swaged
IRV (cu. In.): 1024A=100.35, 1036A=131.71, 1048A=169.34, 1064A=225.79
Drain Pan: 1024A, 1036A, 1048A: Plastic
1064A: 22 ga. G-90 Paint Grip, coated & painted
Holding Charge: Dry nitrogen
Warranty: 5 year replacement

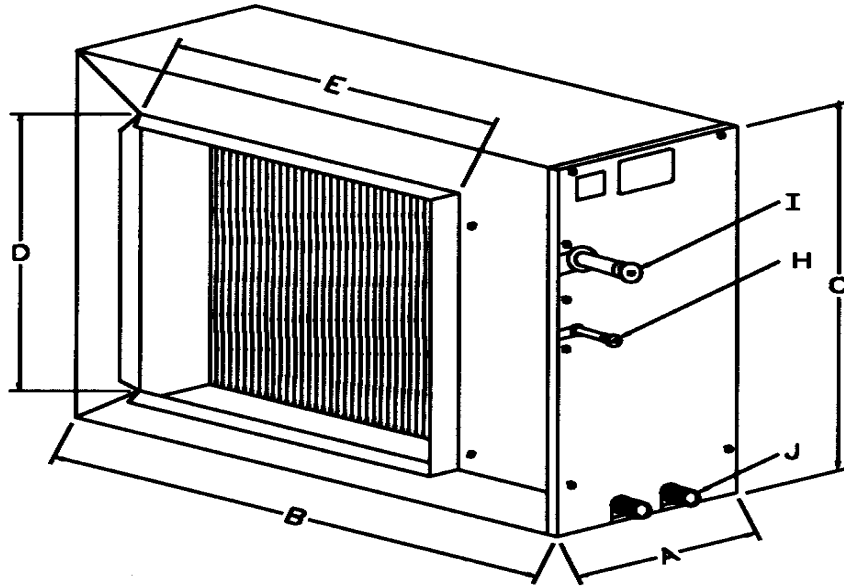
Please visit our website www.SustainableCoils.com for further information regarding our complete product line.

Sustainable Coils

Built to Last!

HORIZONTAL SLAB COILS

Revision Date: 10/17/16



COIL MODEL	A	B	C	D	E	H	I	J
HS-24	10	20	25	21	14	3/8	3/4	3/4
HS-36	10	25	25	21	19	3/8	3/4	3/4
HS-48	10	30	25	21	24	3/8	7/8	3/4
HS-60	10	34	25	21	28	3/8	7/8	3/4

3/8 O.D. UNIGUARD® by Luvata copper alloy tubing to block formicary corrosion

Aluminum end plates to protect against rust corrosion

Louvered fins spaced at 14 FPI

Piston metered for R-22 refrigerant, additional R-410A piston optional

R-22 and R-410A expansion valve kits available upon request

Metal drain pan

Pre-swaged refrigerant connection, shipped with dry nitrogen holding charge

Internal refrigerant volumes: HS24=98.78, HS36=134.06, HS48=169.34, HS60=197.57

5 year replacement warranty

Visit our website at www.Sustainablecoils.com for further information regarding our complete product line.

Sustainable Coils

Built to Last!

Replacement coils for Trane/American Standard TWE, 2/4TEC, 2/4TEE, 2/4TEH Air Handlers

Sustainable Coils is proud to offer an affordable solution for TWE, 2/4TEC, 2/4TEE and 2/4TEH Air Handler coils that have failed and are no longer in warranty.

1. Our RCTWE replacement coils are a true drop-in replacement. The drain and line set connections are properly positioned to match the published dimensions of TWE air handler cover plates. When the RCTWE coils are used with TEC, TEE and TEH air handlers, with some models the suction line may have to be repositioned to match the outlet cover. Every coil comes with a factory installed vertical and horizontal drain pan.
2. We have maintained the proper internal refrigerant volumes for each model to insure compatibility for heat pump applications. The replacement option from the OEM utilizes aluminum tubing, which has 30% less internal refrigerant volume due to the wall thickness of the aluminum tubing. This could create charging issues when the outdoor heat pump reverses into the heating cycle.
3. Each replacement coil model utilizes the proper metering device specified for the past application. The OEM replacement is supplied without a metering device, and must be applied by the service contractor upon installation. The C14 models are equipped with piston metering for R-22 refrigerant. The D15, E13 and P13 models utilize R-22 adjustable expansion valves for heat pump or cooling only applications. R-410A expansion valves are available for 4TEC, 4TEE and 4TEH models.
4. All RCTWE replacement coils utilize UNIGUARD® by Luvata copper alloy tubing for proven protection against formicary corrosion, the leading cause of coil leaks in copper tube applications. As an added feature, we also utilize aluminum end plates to further reduce rust corrosion.
5. Our RCTWE replacement coils carry a five year replacement warranty for added end user peace of mind, instead of the one year replacement warranty currently available when using the OEM coil in a replacement application.

Our RCTWE coils can also be utilized in Trane/American Standard 2/4TEC, 2/4TEE and 2/4TEH air handlers. We have a complete cross reference list detailing the coil matches. Please refer to the suction line height notes for header modifications on some models.

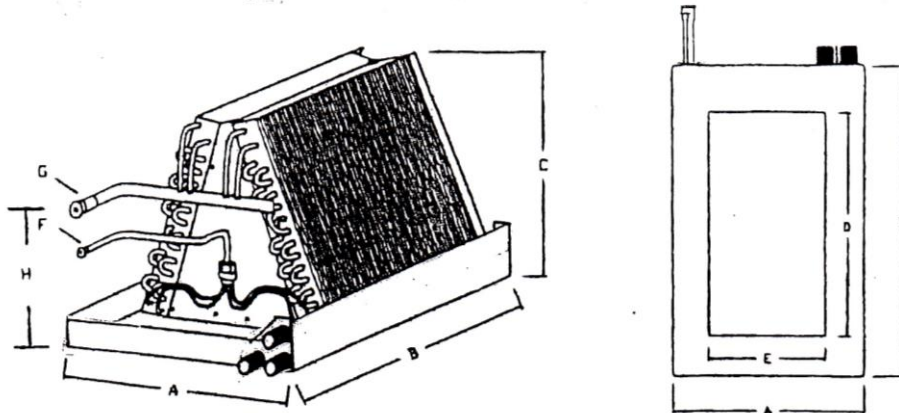
We keep a complete stock of RCTWE coils on hand and we can usually ship an individual coil within 24 hours.

Sustainable Coils

Built to Last!

TWE AIR HANDLER REPLACEMENT COILS

Revised 10/17/16



COIL MODEL	A	B	C	D	E	F	G	H
RCTWE024C14	18 3/4	19 1/2	14	15 7/8	11 1/2	3/8	3/4	12 1/2
RCTWE030C14	18 3/4	19 1/2	12	15 7/8	11 1/2	3/8	3/4	12 1/2
RCTWE030P13	18 3/4	19 1/2	14	15 7/8	11 1/2	3/8	3/4	12 1/2
RCTWE036C14	18 3/4	19 1/2	14	15 7/8	11 1/2	3/8	3/4	12 1/2
RC2TEC3F36A	18 3/4	19 1/2	16	15 7/8	11 1/2	3/8	3/4	14 1/2
RCTWE036P13	18 3/4	19 1/2	18	15 7/8	11 1/2	3/8	7/8	14 1/2
RCTWE037E13	20 3/4	19 1/2	18	15 7/8	13 1/2	3/8	7/8	14 1/2
RCTWE040E13	24 1/8	19 1/2	22	15 7/8	16 1/8	3/8	7/8	15 3/8
RCTWE042C14	20 3/4	19 1/2	18	15 7/8	13 1/2	3/8	7/8	14 1/2
RCTWE042P13	20 3/4	19 1/2	22	15 7/8	13 1/2	3/8	7/8	15 3/8
RCTWE048C14	20 3/4	19 1/2	22	15 7/8	13 1/2	3/8	7/8	21 3/8
*RCTWE060C/D15	20 3/4	19 1/2	27	15 7/8	13 1/2	3/8	7/8	27 1/2
*RCTWE060P13	24 1/8	19 1/2	27	15 7/8	16 1/8	3/8	7/8	24 1/8
*RCTWE065E13	24 1/8	19 1/2	32	15 7/8	16 1/8	3/8	7/8	24 1/8

* Denotes over size coil that must be shipped on a skid to a commercial location.

3/8 O.D. UNIGUARD® by Luvata copper alloy tubing to block formicary corrosion

Aluminum end plates for rust reduction

C14 coils are piston metered for R-22 refrigerant, additional 410A piston optional

E13, P13, C/D15 coils equipped with factory installed heat pump TXV metered for R-22 refrigerant

R410A heat pump expansion valves available upon request

H dimension measured from bottom of drain pan, add 3" if measuring below filter chamber

All RCTWE coils are equipped with a factory installed vertical and horizontal drain pan

Refrigerant connections pre-swaged, coils shipped with dry nitrogen holding charge

5 year replacement warranty

For a printable cross reference PDF of RCTWE models for use with 2/4TEC, 2/4TEE and 2/4TEH models, please visit our website www.SustainableCoils.com.

Sustainable Coils

Built to Last!

**Trane/American Standard Air Handler replacement coil cross reference:
10/17/16**

Suction line height referenced in the cross reference is measured from bottom of drain pan. Add 3" if measuring from the bottom of the filter rack.

Our RCTWE replacement coils are a true drop-in replacement. The drain and line set connections are properly positioned to match the published dimensions of TWE air handler cover plates. When our RCTWE coils are used with TEC, TEE and TEH air handlers, the suction line may need to be repositioned to match the outlet cover. If the notes denote "Modified header height" the Sustainable model listed is used for your application but the line set location will probably need to be modified to match the access panel. Every coil comes with a factory installed vertical and horizontal drain pan.

Trane/A.S. Model #	Sustainable Model #	Suction Line Height-Notes
TWE018C14	RCTWE024C14	12 1/2"-R-22 piston
TWE024C14	RCTWE024C14	12 1/2"-R-22 piston
TWE030C14	RCTWE030C14	12 1/2"-R-22 piston
TWE036C14	RCTWE036C14	12 1/2"-R-22 piston
TWE042C14	RCTWE042C14	14 1/2"-R-22 piston
TWE048C14	RCTWE048C14	21 3/8"-R-22 piston
TWE060C/D15	RCTWE060C/D15	27 1/2"-R-22 TXV

Trane/A.S. Model #	Sustainable Model #	Suction Line Height-Notes
TWE018P13	RCTWE030P13	12 1/2"-R-22 TXV
TWE024P13	RCTWE030P13	12 1/2"-R-22 TXV
TWE030P13	RCTWE030P13	12 1/2"-R-22 TXV
TWE036P13	RCTWE036P13	14 1/2"-R-22 TXV
TWE042P13	RCTWE042P13	15 3/8"-R-22 TXV
TWE048P13	RCTWE060P13	24 1/8"-R-22 TXV
TWE060P13	RCTWE060P13	24 1/8"-R-22 TXV
TWE063P13	RCTWE065E13	24 1/8"-R-22 TXV

Trane/A.S. Model #	Sustainable Model #	Suction Line Height-Notes
TWE031E13	RCTWE030P13	12 1/2"-R-22 TXV
TWE037E13	RCTWE037E13	14 1/2"-R-22 TXV
TWE040E13	RCTWE040E13	15 3/8"-R-22 TXV
TWE049E13	RCTWE060P13	24 1/8"-R-22 TXV
TWE065E13	RCTWE065E13	24 1/8"-R-22 TXV

Trane/American Standard Air Handler replacement coil cross reference:

10/17/16

Page 2

Trane/A.S. Model #	Sustainable Model #	Suction Line Height-Notes
2TEC3F18A	RCTWE030P13	12 1/2"-R-22 TXV
2TEC3F24A	RCTWE030P13	12 1/2"-R-22 TXV
2TEC3F30A	RC2TEC3F36A	14 1/2"-R-22 TXV
2TEC3F36A	RC2TEC3F36A	14 1/2"-R-22 TXV
2TEC3F42A	RCTWE042P13	15 3/8"-R-22 TXV
2TEC3F48A	RCTWE060C/D15	27 1/2"-R-22 TXV
2TEC3F60A	RCTWE060C/D15	27 1/2"-R-22 TXV

Trane/A.S. Model #	Sustainable Model #	Suction Line Height-Notes
2TEC3F18B	RCTWE030P13	12 1/2"-R-22 TXV
2TEC3F24B	RCTWE030P13	12 1/2"-R-22 TXV
2TEC3F30B	RC2TEC3F36A	14 1/2"-R-22 TXV
2TEC3F36B	RC2TEC3F36A	14 1/2"-R-22 TXV
2TEC3F42B(C)	RCTWE042P13	15 3/8"-R-22 TXV
2TEC3F48B	RCTWE060C/D15	27 1/2"- R-22 TXV
2TEC3F55B	RCTWE060P13	24 1/8"-R-22 TXV
2TEC3F60B	RCTWE060C/D15	27 1/2"-R-22 TXV

Trane/A.S. Model #	Sustainable Model #	Suction Line Height-Notes
4TEC3F18A	RCTWE030P13	12 1/2"-Requires R-410A TXV
4TEC3F24A	RCTWE030P13	12 1/2"-Requires R-410A TXV
4TEC3F30A	RC2TEC3F36A	14 1/2"-Requires R-410A TXV
4TEC3F36A	RC2TEC3F36A	14 1/2"-Requires R-410A TXV
4TEC3F42A	RCTWE042P13	15 3/8"-Requires R-410A TXV
4TEC3F48A	RCTWE060C/D15	27 1/2"-Requires R-410A TXV
4TEC3F60A	RCTWE060C/D15	27 1/2"-Requires R-410A TXV

Trane/A.S. Model #	Sustainable Model #	Suction Line Height-Notes
4TEC3F18B	RCTWE030P13	12 1/2"-Requires R-410A TXV
4TEC3F24B	RCTWE030P13	12 1/2"-Requires R-410A TXV
4TEC3F30B	RC2TEC3F36A	14 1/2"-Requires R-410A TXV
4TEC3F36B	RC2TEC3F36A	14 1/2"-Requires R-410A TXV
4TEC3F42B	RCTWE042P13	15 3/8"-Requires R-410A TXV
4TEC3F42B-later version 4TEC3F42C-later version	RCTWE042P13	19 1/2"-Field Verify! Requires header modification R-410A TXV
4TEC3F48B	RCTWE060C/D15	27 1/2"-Requires R-410A TXV
4TEC3F48B-later version	RCTWE060C/D15	24 1/2"-Field Verify! Requires header modification, R-410A TXV
4TEC3F55B	RCTWE060P13	24 1/8"-Requires R-410A TXV
4TEC3F60B	RCTWE060C/D15	27 1/2"-Requires R-410A TXV
4TEC3F60B-later version	RCTWE060C/D15	24 1/2"-Field Verify! Requires header modification, R-410A TXV

Trane/American Standard Air Handler replacement coil cross reference:

10/17/16

Page 3

Trane/A.S. Model #	Sustainable Model #	Suction Line Height-Notes
4TEE3C01A	RCTWE030P13	12 1/2"-R-410A TXV
4TEE3C02A	RCTWE037E13	14 1/2"-R-410A TXV
4TEE3C03A	RCTWE042P13	17"- -Modified header required, TXV tonnage change required, R-410A TXV
4TEE3C04A	RCTWE042P13	17"- -Modified header required, TXV tonnage change required, R-410A TXV
4TEE3C05A	RCTWE040E13	15 3/8"-R-410A TXV
4TEE3C06A	RCTWE060C/D15	23 3/4"-Modified header required, R-410A TXV
4TEE3C07A	RCTWE060P13	24 1/8", R-410A TXV
4TEE3C08A	RCTWE060C/D15	23 3/4"-Modified header required, R-410A TXV
4TEE3C09A	RCTWE065E13	24 1/8", R-410A TXV
4TEE3C10A	RCTWE065E13	24 1/8", R-410A TXV

Trane/A.S. Model #	Sustainable Model #	Suction Line Height-Notes
2TEE3F31A	RCTWE030P13	12 1/2"-R-22 TXV
2TEE3F37A	RCTWE037E13	14 1/2"-R-22 TXV
2TEE3F39A	RCTWE042P13	14 1/2"-Modified header height, Field verify!-R-22 TXV
2TEE3F40A	RCTWE040E13	15 3/8"-Field verify!-R-22 TXV
2TEE3F48A	RCTWE060C/D15	14 1/2"-Modified header height, Field verify! R-22 TXV
2TEE3F49A	RCTWE060P13	24 1/8"-Field verify!-R-22 TXV
2TEE3F64A	RCTWE060C/D15	14 1/2"-Modified header height, Field verify! R-22 TXV
2TEE3F65A	RCTWE065E13	24 1/8"-Field verify! -R-22 TXV

Trane/A.S. Model #	Sustainable Model #	Suction Line Height-Notes
4TEE3F31B	RCTWE030P13	12 1/2"-Requires R-410A TXV
4TEE3F37B	RCTWE037E13	14 1/2"-Requires R-410A TXV
4TEE3F39A	RCTWE042P13	14 1/2"-Modified header height, Field verify! -Requires R-410A TXV
4TEE3F40B	RCTWE040E13	15 3/8"-Requires R-410A TXV
4TEE3F48A	RCTWE060C/D15	14 1/2"-Modified header height, Field verify! Requires R-410A TXV
4TEE3F49B	RCTWE060P13	24 1/8"-Requires R-410A TXV
4TEE3F64A	RCTWE060C/D15	14 1/2"-Modified header height, Field verify! Requires R-410A TXV
4TEE3F65B	RCTWE065E13	24 1/8"-Requires R-410A TXV

Trane/American Standard Air Handler replacement coil cross reference:

10/17/16

Page 4

Trane/A.S. Model #	Sustainable Model #	Suction Line Height-Notes
2TEH3F18A	RCTWE030P13	12 1/2"-R-22 TXV
2TEH3F24A	RCTWE030P13	12 1/2"-R-22 TXV
2TEH3F30A	RC2TEC3F36A	14 1/2"-R-22 TXV
2TEH3F36A	RC2TEC3F36A	14 1/2"-R-22 TXV
2TEH3F42A	RCTWE042P13	15 3/8"-R-22 TXV
2TEH3F48A	RCTWE060C/D15	27 1/2"-R-22 TXV
2TEH3F60A	RCTWE060C/D15	27 1/2"-R-22 TXV

Trane/A.S. Model #	Sustainable Model #	Suction Line Height-Notes
2TEH3F18B	RCTWE030P13	12 1/2"-R-22 TXV
2TEH3F24B	RCTWE030P13	12 1/2"-R-22 TXV
2TEH3F30B	RC2TEC3F36A	14 1/2"-R-22 TXV
2TEH3F36B	RC2TEC3F36A	14 1/2"-R-22 TXV
2TEH3F42B	RCTWE042P13	15 3/8"-R-22 TXV
2TEH3F48B	RCTWE060C/D15	27 1/2"-R-22 TXV
2TEH3F60B	RCTWE060C/D15	27 1/2"-R-22 TXV

Trane/A.S. Model #	Sustainable Model #	Suction Line Height-Notes
4TEH3F18B	RCTWE030P13	12 1/2"-Requires R-410A TXV
4TEH3F24B	RCTWE030P13	12 1/2"-Requires R-410A TXV
4TEH3F30B	RC2TEC3F36A	14 1/2"-Requires R-410A TXV
4TEH3F36B	RC2TEC3F36A	14 1/2"-Requires R-410A TXV
4TEH3F42B	RCTWE042P13	15 3/8"-Field verify Requires R-410A TXV
4TEH3F48B	RCTWE060C/D15	27 1/2"-Field verify Requires R-410A TXV
4TEH3F60B	RCTWE060C/D15	27 1/2"-Field verify Requires R-410A TXV

Sustainable Coils

Built to Last!

Replacement coils for Carrier, Bryant, Payne, Day & Night, Arcoaire, Comfortmaker, Heil and Tempstar F-series Air Handlers

Sustainable Coils is proud to offer an affordable solution for **F-Series Air Handler coils that have failed and are no longer in warranty.**

1. Our slope coil line set connections are properly positioned to match the existing air handler cover plate. The end brackets are slotted to accept the coil support brackets from the old unit. The end brackets of the slope coil have pilot holes for attachment of the existing drain pan. Plus, we furnish a factory installed top attachment baffle for ease of installation.
2. The A-coil replacements have a properly sized G-90 22 gauge paint grip metal drain pan that is coated for rust protection. The drain connections are positioned to fit the access panel and the pan is equipped with drain pan brackets already attached to the bottom of the pan. The A-coil line sets are positioned to match the existing access panel. The 314A2430, 318A4248 and 324A4860 top baffle is sized to accept the Air Seal Assembly from the existing coil if the coil is used in a horizontal application.
3. We have maintained the proper internal refrigerant volumes for each model to insure compatibility for heat pump applications.
4. All F-Series replacement coils utilize UNIGUARD® by Luvata copper alloy tubing for proven protection against formicary corrosion, the leading cause of coil leaks in copper tube applications. As an added feature, we also utilize aluminum end brackets for rust reduction.
5. Our F-Series replacement coils carry a five year replacement warranty for added end user peace of mind, instead of the one year replacement warranty currently available when using the OEM coil in a replacement application.

We keep a complete stock of F-Series coils on hand and we can usually ship an individual coil within 24 hours. It may be necessary to change out the metering device depending upon your refrigerant and replacement model application.

Sustainable Coils

Built to Last!

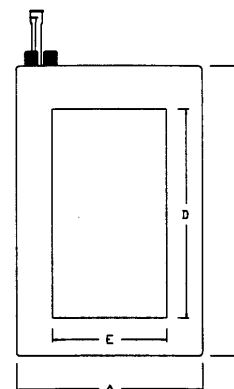
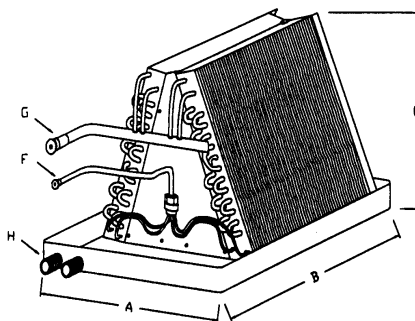
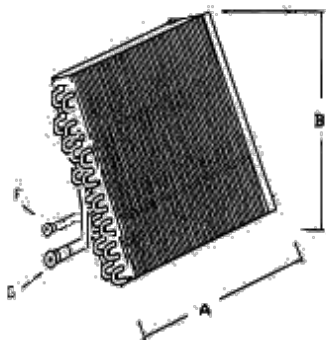
Carrier/Bryant/ICP F-series Air Handler replacement coils

Revision Date: 10/17/16

Slope Model	Face Area	Rows	A	B	F	G
218S18	2.23 sq ft	2	21"	18"	3/8	3/4
318S2430	2.23 sq ft	3	21"	18"	3/8	3/4
324S3036	2.97 sq ft	3	21"	24"	3/8	3/4
328S3642	3.46 sq ft	3	21"	28"	3/8	7/8

All slope coils have the following characteristics in common:

- Pre-punched brackets to accept coil support columns
- Pre-installed side block off baffles for proper fit
- Pre-installed coil top seal
- Line sets positioned to fit access panel location



A-coil pictured above for dimensional use only and does not accurately depict liquid and suction line location.

"A" MODEL	A	B	C	D	E	F	G	H
*314A2430	15 3/4	20 5/8	14 1/2	17 1/2	9 3/4	3/8	3/4	3/4
*318A4248	19 1/4	20 5/8	18 1/2	17 1/2	13 1/4	3/8	7/8	3/4
*324A4860	19 1/4	20 5/8	24 1/2	17 1/2	13 1/4	3/8	7/8	3/4
424A60+TXV	22 3/4	20 5/8	24 1/2	17 1/2	14 1/4	3/8	7/8	3/4

*A-coil top baffle sized to accept horizontal top seal from replaced coil

- Metal pan coated for rust protection, drains match air handler access panel location
- Drain pan equipped with coil brackets for proper mounting
- All coils utilize UNIGUARD® by Luvata copper alloy tubing to block formicary corrosion
- All coils utilize aluminum end plates for rust reduction
- All coils maintain proper Internal Refrigerant Volumes for heat pump compatibility
- All suction and liquid lines placed to air handler access panel location
- Line sets pre-swaged, coils shipped with dry nitrogen holding charge
- 5 year replacement warranty

For printable line art and cross reference utilization chart PDF please visit our website at www.SustainableCoils.com.

Sustainable Coils

Built to Last!

Carrier, Bryant, Payne F-Series Air Handler replacement coils to fit models FA4A, FA4B, FA4C, FB4A, FB4B, FB4C, FC4B, FC4C, FC4D, FE4A, FE5A, FK4C, FK4D, FV4A, FV4B, FV4C, FX4B, FX4C, FX4D, FY4A, PF1MNA, PF1MNB, PF1MNC and PF4MNA:

04/27/16

“S” in the model number designates slope coil, “A” designates A-coil. If your air handler model is not shown, please consult your Wholesale Distributor or contact the factory for the correct coil model number.

Please note: Due to the multiple use of the coil model numbers in various tonnages and air handlers, it may be necessary to change out the piston or field install a supplied TXV kit for a proper match to the outdoor unit. Replacement coils may be ordered with the correct piston or TXV factory installed with a minimal up-charge to fit the desired application. Please consult your Wholesale Distributor or the factory to verify the correct metering device needed for your refrigerant application.

The 424A60+TXV is a drop in replacement that does not replicate the original coil. The 424A60+TXV is a 4 row coil with a factory installed TXV that is 24 1/2” tall. It is manufactured to fit into the 26 11/16” wide air handlers. The original coil that it replaces is a 3 row 30” tall coil with a 7.42 sq. ft. face area. The internal refrigerant volumes of both coils match for heat pump application compatibility, plus the drains and line set connections match the access panel. By utilizing 4 rows and keeping the coil under 25” tall, the coil can be shipped via FedEx ground without incurring an oversize charge or the cost of a single unit skid shipment. Due to the 4 row configuration, the horizontal top seal from the original coil will not fit the top baffle. Since the coil is 6” shorter than the original coil it may be used in a horizontal application without the top seal.

F-SERIES CROSS REFERENCE UTILIZATION CHART

OEM Model #	Sustainable Model #	Specified Metering
FA4A018	218S18	Piston
FA4A024	318S2430	Piston
FA4A030	324S3036	Piston
FA4A036	324S3036	Piston
FA4A042	328S3642	Piston
FA4A048	318A4248	Piston
FA4A060	324A4860	Piston

OEM Model #	Sustainable Model #	Specified Metering
FA4B018	218S18	Piston
FA4B024	318S2430	Piston
FA4B030	324S3036	Piston
FA4B036	324S3036	Piston
FA4B042	328S3642	Piston
FA4B048	318A4248	Piston
FA4B060	324A4860	Piston

Carrier, Bryant, Payne F-Series Air Handler replacement coils:

04/27/16

Page 2

OEM Model #	Sustainable Model #	Specified Metering
FA4C018	318S2430+TXV	R-22 TXV
FA4C024	324S3036+TXV	R-22 TXV
FA4C030	324S3036+TXV	R-22 TXV
FA4C036	328S3642+TXV	R-22 TXV
FA4C042	318A4248+TXV	R-22 TXV
FA4C048	324A4860+TXV	R-22 TXV
FA4C060	424A60+TXV	R-22 TXV

OEM Model #	Sustainable Model #	Specified Metering
FB4A018	218S18	Piston
FB4A024	318S2430	Piston
FB4A030	324S3036	Piston
FB4A036	324S3036	Piston
FB4A042	328S3642	Piston
FB4A048	318A4248	Piston
FB4A060	324A4860	Piston
FB4A070	424A60+TXV	TXV

OEM Model #	Sustainable Model #	Specified Metering
FB4B018	218S18	Piston
FB4B024	318S2430	Piston
FB4B030	324S3036	Piston
FB4B036	324S3036	Piston
FB4B042	328S3642	Piston
FB4B048	318A4248	Piston
FB4B060	324A4860	Piston
FB4B070	424A60+TXV	TXV

OEM Model #	Sustainable Model #	Specified Metering
FB4C018	318S2430	Piston
FB4C024	318S2430	Piston
FB4C030	324S3036	Piston
FB4C036	324S3036	Piston
FB4C042	318A4248	Piston
FB4C048	318A4248	Piston
FB4C060	324A4860+TXV	TXV

OEM Model #	Sustainable Model #	Specified Metering
FC4B024	318S2430+TXV	R-22 TXV
FC4B030	324S3036+TXV	R-22 TXV
FC4B036	324S3036+TXV	R-22 TXV
FC4B038	324A4860+TXV	3 ton R-22 TXV
FC4B042	328S3642+TXV	R-22 TXV
FC4B048	318A4248+TXV	R-22 TXV
FC4B054	424A60+TXV	R-22 TXV
FC4B060	324A4860+TXV	R-22 TXV
FC4B070	424A60+TXV	R-22 TXV

Carrier, Bryant, Payne F-Series Air Handler replacement coils:

04/27/16

Page 3

OEM Model #	Sustainable Model #	Specified Metering
FC4C024	318S2430+TXV	R-22 TXV
FC4C030	324S3036+TXV	R-22 TXV
FC4C036	324S3036+TXV	R-22 TXV
FC4C042	328S3642+TXV	R-22 TXV
FC4C048	318A4248+TXV	R-22 TXV
FC4C054	424A60+TXV	R-22 TXV
FC4C060	324A4860+TXV	R-22 TXV
FC4C070	424A60+TXV	R-22 TXV

OEM Model #	Sustainable Model #	Specified Metering
FC4D018	318S2430+TXV	R-22 TXV
FC4D024	324S3036+TXV	R-22 TXV
FC4D030	324S3036+TXV	R-22 TXV
FC4D036	328S3642+TXV	R-22 TXV
FC4D042	318A4248+TXV	R-22 TXV
FC4D048	324A4860+TXV	R-22 TXV
FC4D060	424A60+TXV	R-22 TXV

OEM Model #	Sustainable Model #	Specified Metering
FE4A002	314A2430+TXV	R-410A TXV
FE4A003	328S3642+TXV	R-410A TXV
FE5A004	424A60+TXV	3 ton R-410A TXV
FE4A005	324A4860+TXV	R-410A TXV
FE4A006	424A60+TXV	R-410A TXV

OEM Model #	Sustainable Model #	Specified Metering
FK4C001	324S3036+TXV	R-22 TXV
FK4C002	314A2430+TXV	R-22 TXV
FK4C003	328S3642+TXV	3.5-5 ton R-22 TXV
FK4C005	324A4860+TXV	R-22 TXV
FK4C006	424A60+TXV	R-22 TXV

OEM Model #	Sustainable Model #	Specified Metering
FK4D001	324S2430+TXV	R-22 TXV
FK4D002	314A2430+TXV	R-22 TXV
FK4D003	328S3642+TXV	3.5-5 ton R-22 TXV
FK4D005	324A4860+TXV	R-22 TXV
FK4D006	424A60+TXV	R-22 TXV

OEM Model #	Sustainable Model #	Specified Metering
FV4A002	314A2430+TXV	R-410A TXV
FV4A003	328S3642+TXV	3 ton R-410A TXV
FV4A005	324A4860+TXV	R-410A TXV
FV4A006	424A60+TXV	R-410A TXV

Carrier, Bryant, Payne F-Series Air Handler replacement coils:

04/27/16

Page 4

OEM Model #	Sustainable Model #	Specified Metering
FV4B002	314A2430+TXV	R-410A TXV
FV4B003	328S3642+TXV	3 ton R-410A TXV
FV4B005	324A4860+TXV	R-410A TXV
FV4B006	424A60+TXV	R-410A TXV

OEM Model #	Sustainable Model #	Specified Metering
FV4C002	314A2430+TXV	R-410A TXV
FV4C003	328S3642+TXV	3 ton R-410A TXV
FV4C005	324A4860+TXV	R-410A TXV
FV4C006	424A60+TXV	R-410A TXV

OEM Model #	Sustainable Model #	Specified Metering
FX4B018	318S2430+TXV	R-410A TXV
FX4B030	324S3036+TXV	R-410A TXV
FX4B036	328S3642+TXV	R-410A TXV
FX4B042	318A4248+TXV	R-410A TXV
FX4B048	324A4860+TXV	R-410A TXV
FX4B060	424A60+TXV	R-410A TXV

OEM Model #	Sustainable Model #	Specified Metering
FX4C018	318S2430+TXV	R-410A TXV
FX4C024	324S3036+TXV	R-410A TXV
FX4C030	324S3036+TXV	R-410A TXV
FX4C036	328S3642+TXV	R-410A TXV
FX4C042	318A4248+TXV	R-410A TXV
FX4C048	324A4860+TXV	R-410A TXV
FX4C060	424A60+TXV	R-410A TXV

OEM Model #	Sustainable Model #	Specified Metering
FX4D019	324S3036+TXV	R-410A TXV
FX4D025	324S3036+TXV	R-410A TXV
FX4D031	328S3642+TXV	R-410A TXV
FX4D037	318A4248+TXV	R-410A TXV
FX4D043	318A4248+TXV	R-410A TXV
FX4D049	324A4860+TXV	R-410A TXV
FX4D061	424A60+TXV	R-410A TXV

OEM Model #	Sustainable Model #	Specified Metering
FY4A018	318S2430+TXV	R-410A TXV
FY4A024	324S3036+TXV	R-410A TXV
FY4A030	324S3036+TXV	R-410A TXV
FY4A036	328S3642+TXV	R-410A TXV
FY4A042	318A4248+TXV	R-410A TXV
FY4A048	324A4860+TXV	R-410A TXV
FY4A060	424A60+TXV	R-410A TXV

Carrier, Bryant, Payne F-Series Air Handler replacement coils:

04/27/16

Page 5

OEM Model #	Sustainable Model #	Specified Metering
PF1MNA018	218S18	Piston
PF1MNA024	318S2430	Piston
PF1MNA030	324S3036	Piston
PF1MNA036	324S3036	Piston
PF1MNA042	328S3642	Piston
PF1MNA048	318A4248	Piston
PF1MNA060	324A4860	Piston
PF1MNA070	424A60	Piston
PF1MNA071	424A60+TXV	R-22 TXV

OEM Model #	Sustainable Model #	Specified Metering
PF1MNB018	218S18	Piston
PF1MNB024	318S2430	Piston
PF1MNB030	324S3036	Piston
PF1MNB036	324S3036	Piston
PF1MNB042	328S3642	Piston
PF1MNB048	318A4248	Piston
PF1MNB060	324A4860	Piston
PF1MNB070	424A60	Piston
PF1MNB071	424A60+TXV	R-22 TXV

OEM Model #	Sustainable Model #	Specified Metering
PF1MNC018	318S2430+TXV	R-22 TXV
PF1MNC024	324S3036+TXV	R-22 TXV
PF1MNC030	324S3036+TXV	R-22 TXV
PF1MNC036	328S3642+TXV	R-22 TXV
PF1MNC037	328S3642+TXV	R-22 TXV
PF1MNC042	318A4248+TXV	R-22 TXV
PF1MNC043	318A4248+TXV	R-22 TXV
PF1MNC048	324A4860+TXV	R-22 TXV
PF1MNC049	324A4860+TXV	R-22 TXV
PF1MNC060	424A60+TXV	R-22 TXV
PF1MNC061	424A60+TXV	R-22 TXV

OEM Model #	Sustainable Model #	Specified Metering
PF4MNA018	318S2430+TXV	R-410A TXV
PF4MNA019	318S2430+TXV	R-410A TXV
PF4MNA024	324S3036+TXV	R-410A TXV
PF4MNA025	324S3036+TXV	R-410A TXV
PF4MNA030	324S3036+TXV	R-410A TXV
PF4MNA031	324S3036+TXV	R-410A TXV
PF4MNA036	328S3642+TXV	R-410A TXV
PF4MNA037	328S3642+TXV	R-410A TXV
PF4MNA042	318A4248+TXV	R-410A TXV
PF4MNA043	318A4248+TXV	R-410A TXV
PF4MNA048	324A4860+TXV	R-410A TXV
PF4MNA049	324A4860+TXV	R-410A TXV
PF4MNA060	424A60+TXV	R-410A TXV
PF4MNA061	424A60+TXV	R-410A TXV

Sustainable Coils

Built to Last!

INTERNATIONAL COMFORT PRODUCTS F-Series Air Handler replacement coils to fit models: EBP, EBV, EBX, EBXX, FEM2X, FEM4P, FEM4X, FSM2X, FSM4P, FSM4X, FSU2X, FSU4P, FSU4X, FVM2X, FVM4X and FXM4X.

04/27/16

“S” in the model number designates slope coil, “A” designates A-coil. If your air handler model is not shown, please consult your Wholesale Distributor or contact the factory for the correct coil model number.

Please note: Due to the multiple use of the coil model numbers in various tonnages and air handlers, it may be necessary to change out the piston or field install a supplied TXV kit for a proper match to the outdoor unit. Replacement coils may be ordered with the correct piston or TXV factory installed with a minimal up-charge to fit the desired application. Please consult your Wholesale Distributor or the factory to verify the correct metering device needed for your refrigerant application.

The 424A60+TXV is a drop in replacement that **does not** replicate the original coil. The 424A60+TXV is a 4 row coil with a factory installed TXV that is 24 1/2” tall. It is manufactured to fit into the 26 11/16” wide air handlers. The original coil that it replaces is a 3 row 30” tall coil with a 7.42 sq. ft. face area. The internal refrigerant volumes of both coils match for heat pump application compatibility, plus the drains and line set connections match the access panel. By utilizing 4 rows and keeping the coil under 25” tall, the coil can be shipped via FedEx ground without incurring an oversize charge or the cost of a single unit skid shipment. Due to the 4 row configuration, the horizontal top seal from the original coil will not fit the top baffle. Since the coil is 6” shorter than the original coil it may be used in a horizontal application without the top seal.

ICP F-SERIES CROSS REFERENCE UTILIZATION CHART

OEM Model #	Sustainable Model #	Specified Metering
EBP1800	218S18	Piston
EBP2400	318S2430	Piston
EBP3000	324S3036	Piston
EBP3600	324S3036	Piston
EBP4200	328S3642	Piston
EBP4800	318A4248	Piston
EBP6000	324A4860	Piston

OEM Model #	Sustainable Model #	Specified Metering
EBV2400B	314A2430+TXV	R-22 TXV
EBV3600B	328S3642+TXV	R-22 TXV
EBV4800B	324A4860+TXV	R-22 TXV
EBV6000B	424A60+TXV	R-22 TXV

International Comfort Products F-Series Air Handler replacement coils:

04/27/16

Page 2

OEM Model #	Sustainable Model #	Specified Metering
EBX1800	318S2430+TXV	R-22 TXV
EBX2400	318S2430+TXV	R-22 TXV
EBX3600	328S3642+TXV	R-22 TXV
EBX4800	324A4860+TXV	R-22 TXV
EBX6000	424A60+TXV	R-22 TXV

OEM Model #	Sustainable Model #	Specified Metering
EBXX1800	318S2430+TXV	R-410A TXV
EBXX2400	318S2430+TXV	R-410A TXV
EBXX3600	328S3642+TXV	R-410A TXV
EBXX4800	324A4860+TXV	R-410A TXV
EBXX6000	424A60+TXV	R-410A TXV

OEM Model #	Sustainable Model #	Specified Metering
FEM2X1800A	318S2430+TXV	R-22 TXV
FEM2X2400A	324S3036+TXV	R-22 TXV
FEM2X3000A	324S3036+TXV	R-22 TXV
FEM2X3500A	328S3642+TXV	R-22 TXV
FEM2X3600A	318A4248+TXV	R-22 TXV
FEM2X4200A	318A4248+TXV	R-22 TXV
FEM2X4800A	324A4860+TXV	R-22 TXV
FEM2X6000A	424A60+TXV	R-22 TXV

OEM Model #	Sustainable Model #	Specified Metering
FEM4P1800	318S2430	Piston
FEM4P2400	318S2430	Piston
FEM4P3000	324S3036	Piston
FEM4P3600	324S3036	Piston
FEM4P4200	318A4248	Piston
FEM4P4800	318A4248	Piston

OEM Model #	Sustainable Model #	Specified Metering
FEM4X1800A	318S2430+TXV	R-410A TXV
FEM4X2400A	324S3036+TXV	R-410A TXV
FEM4X3000A	324S3036+TXV	R-410A TXV
FEM4X3600A	318A4248+TXV	R-410A TXV
FEM4X4200A	318A4248+TXV	R-410A TXV
FEM4X4800A	324A4860+TXV	R-410A TXV
FEM4X6000A	424A60+TXV	R-410A TXV

OEM Model #	Sustainable Model #	Specified Metering
FEM4X1800B	318S2430+TXV	R-410A TXV
FEM4X2400B	324S3036+TXV	R-410A TXV
FEM4X3000B	324S3036+TXV	R-410A TXV
FEM4X3600B	318A4248+TXV	R-410A TXV
FEM4X4200B	318A4248+TXV	R-410A TXV
FEM4X4800B	324A4860+TXV	R-410A TXV
FEM4X6000B	324A4860+TXV	R-410A TXV

International Comfort Products F-Series Air Handler replacement coils:

04/27/16

Page 3

OEM Model #	Sustainable Model #	Specified Metering
FSM2X1800A	318S2430+TXV	R-22 TXV
FSM2X2400A	324S3036+TXV	R-22 TXV
FSM2X3000A	324S3036+TXV	R-22 TXV
FSM2X3600A	318A4248+TXV	R-22 TXV
FSM2X4200A	318A4248+TXV	R-22 TXV
FSM2X4800A	324A4860+TXV	R-22 TXV
FSM2X6000A	424A60+TXV	R-22 TXV

OEM Model #	Sustainable Model #	Specified Metering
FSM4P1800	324S3036	Piston
FSM4P2400	324S3036	Piston
FSM4P3000	328S3642	Piston
FSM4P3600	328S3642	Piston
FSM4P4200	318A4248	Piston
FSM4P4800	324A4860W	Piston

OEM Model #	Sustainable Model #	Specified Metering
FSM4X1800A	318S2430+TXV	R-410A TXV
FSM4X2400A	324S3036+TXV	R-410A TXV
FSM4X3000A	324S3036+TXV	R-410A TXV
FSM4X3600A	318A4248+TXV	R-410A TXV
FSM4X4200A	318A4248+TXV	R-410A TXV
FSM4X4800A	324A4860+TXV	R-410A TXV
FSM4X6000A	424A60+TXV	R-410A TXV

OEM Model #	Sustainable Model #	Specified Metering
FSU2X1800A	318S2430+TXV	R-22 TXV
FSU2X2400A	324S3036+TXV	R-22 TXV
FSU2X3000A	324S3036+TXV	R-22 TXV
FSU2X3600A	328S3642+TXV	R-22 TXV
FSU2X4200A	318A4248+TXV	R-22 TXV
FSU2X4800A	324A4860+TXV	R-22 TXV
FSU2X6000A	424A60+TXV	R-22 TXV

OEM Model #	Sustainable Model #	Specified Metering
FSU4P1800	324S3036	Piston
FSU4P2400	324S3036	Piston
FSU4P3000	328S3642	Piston
FSU4P3600	328S3642	Piston
FSU4P4200	318A4248	Piston
FSU4P4800	324A4860W	Piston

OEM Model #	Sustainable Model #	Specified Metering
FSU4X1800A	318S2430+TXV	R-410A TXV
FSU4X2400A	324S3036+TXV	R-410A TXV
FSU4X3000A	324S3036+TXV	R-410A TXV
FSU4X3600A	328S3642+TXV	R-410A TXV
FSU4X4200A	318A4248+TXV	R-410A TXV
FSU4X4800A	324A4860+TXV	R-410A TXV
FSU4X6000A	424A60+TXV	R-410A TXV

International Comfort Products F-Series Air Handler replacement coils:

04/27/16

Page 4

OEM Model #	Sustainable Model #	Specified Metering
FVM2X2400A	314A2430+TXV	R-22 TXV
FVM2X3600A	328S3642+TXV	R-22 TXV
FVM2X4800A	324A4860+TXV	R-22 TXV
FVM2X6000A	424A60+TXV	R-22 TXV

OEM Model #	Sustainable Model #	Specified Metering
FVM4X2400A	314A2430+TXV	R-410A TXV
FVM4X3600A	328S3642+TXV	R-410A TXV
FVM4X4800A	324A4860+TXV	R-410A TXV
FVM4X6000A	424A60+TXV	R-410A TXV

OEM Model #	Sustainable Model #	Specified Metering
FXM4X1800A	324S3036+TXV	R-410A TXV
FXM4X2400A	324S3036+TXV	R-410A TXV
FXM4X3000A	328S3642+TXV	R-410A TXV
FXM4X3600A	318A4248+TXV	R-410A TXV
FXM4X4200A	318A4248+TXV	R-410A TXV
FXM4X4800A	324A4860+TXV	R-410A TXV
FXM4X6000A	424A60+TXV	R-410A TXV

3/8 O.D. UNIGUARD® by Luvata copper alloy tubing to block formicary corrosion

Aluminum end plates for rust reduction

Piston models metered for R-22 applications, R-410A pistons available upon request

Expansion valve kits with chatleff fittings available upon request

Factory installed expansion valves available upon request

Suction and liquid lines positioned to access panel locations

Pre-swaged suction and liquid lines, shipped with dry nitrogen holding charge

A-Coils utilize a G-90 paint grip metal coated drain pan with coil brackets

A-coil drains positioned to match access panel

314A2430, 318A4248 and 324A4860 top baffle sized to accept horizontal top seal from old coil.

424A60+TXV top baffle will not accept the horizontal top seal

Proper internal refrigerant volumes maintained for heat pump compatibility

Coils carry a 5 year replacement warranty from date of installation

Proudly manufactured and assembled in Lindale, Texas

Sustainable Coils

Built to Last!

Replacement coils for ICP EPA-EXA coils

1. The line set connections for our EPA-EXA replacement coils are properly positioned to match published specifications. The drain pan is properly sized for each application and the drain connections are positioned to fit the access panel
2. In order to complement our manufacturing and eliminate costly set ups, certain models have been redesigned from 2 row coils to 3 rows, and 3 row coils to 4 rows. We have maintained the proper internal refrigerant volumes for each model to insure compatibility for heat pump applications. The new designs will be shorter, but all other dimensions are maintained for ease of installation. Redesigned models are noted with an asterisk in front of the model number.
3. All EPA-EXA replacement coils utilize UNIGUARD® by Luvata copper alloy tubing for proven protection against formicary corrosion, the leading cause of coil leaks in copper tube applications. As an added feature, we also utilize aluminum end brackets for rust reduction.
4. Our EPA-EXA replacement coils carry a five year replacement warranty for added end user peace of mind.
5. EPA-EXA coils can also be used in certain ICP air handlers such as the FCP or FCX models. Please refer to our EPA-EXA cross reference list for model matches.

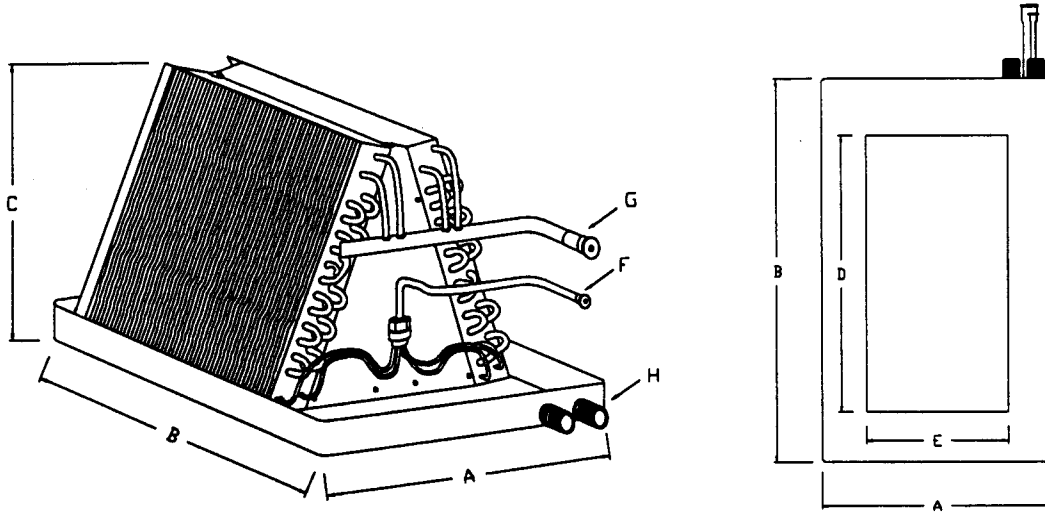
EPA-EXA replacement coils are a non-stock item and may require up to 5 business days to manufacture. Please contact the factory for current lead time.

Sustainable Coils

Built to Last!

ICP EPA-EXA REPLACEMENT A-COILS

Revision date: 10/17/16



COIL MODEL	ROWS	A	B	C	D	E	F	G	H
**RCEPA24B15	3	14 3/4	19 3/4	10 1/2	15 3/4	7 1/2	3/8	3/4	3/4
RCEXA24B15	3	14 3/4	19 3/4	14 1/2	15 3/4	7 1/2	3/8	3/4	3/4
**RCEPA36B15	3	14 3/4	19 3/4	12 1/2	15 3/4	7 1/2	3/8	3/4	3/4
**RCEPA36F19	3	18 1/8	19 3/4	12 1/2	15 3/4	10 3/4	3/8	3/4	3/4
RCEXA36B15	3	14 3/4	19 3/4	18 1/2	15 3/4	7 1/2	3/8	3/4	3/4
RCEXA36F19	3	18 1/8	19 3/4	18 1/2	15 3/4	10 3/4	3/8	3/4	3/4
RCEPA42F19	3	18 1/8	19 3/4	18 1/2	15 3/4	10 3/4	3/8	7/8	3/4
RCEPA48F19	3	18 1/8	19 3/4	20 1/2	15 3/4	10 3/4	3/8	7/8	3/4
RCEPA48J22	3	21 7/8	19 3/4	22 1/2	15 3/4	14 1/2	3/8	7/8	3/4
RCEPA48L24	3	23 1/2	19 3/4	22 1/2	15 3/4	17	3/8	7/8	3/4
**RCEXA48J22	4	21 7/8	19 3/4	20 1/2	15 3/4	12 3/4	3/8	7/8	3/4
**RCEPA60J22	4	21 7/8	19 3/4	20 1/2	15 3/4	12 3/4	3/8	7/8	3/4
**(*)RCEPA60N26	4	25 1/2	19 3/4	20 1/2	15 3/4	12 3/4	3/8	7/8	3/4
**(*)RCEXA60N26	4	25 1/2	19 3/4	20 1/2	15 3/4	12 3/4	3/8	7/8	3/4

Suction line 1 5/8" ←, 10 5/8" ↑. Liquid line 1 5/8" ←, 9 3/8" ↑.

Primary drain 2 1/2" ← to center, secondary drain 1 5/8" ← to center.

3/8 O.D. UNIGUARD® by Luvata copper alloy tubing to block formicary corrosion
 Aluminum end plates to protect against rust corrosion
 22 ga. G-90 paint grip metal drain pan, coated with a rust inhibitor and painted black
 RCEPA piston metered for R-22 application, RCEXA equipped with R-22 TXV
 Pre-swaged refrigerant connections, shipped with dry nitrogen holding charge
 Five year replacement warranty

* Denotes over size coil that must be shipped on a skid to a commercial location.

** Denotes physical dimension modification from original 2 row coils to 3 row coils, or 3 row coils to 4 row coils. Corresponding model numbers will be shorter than past models, but will maintain the correct internal refrigerant volumes and dimensional characteristics of each model number.

Sustainable Coils

Built to Last!

**ICP Replacement coils: EPA, EXA, FCP air handler, FCX air handler
04/27/16**

Please contact the factory for current lead time. EPA-EXA replacement coils are a non-stock item and may require up to 5 business days to manufacture.

CROSS REFERENCE UTILIZATION CHART

OEM Model #	Sustainable Model #	Specified Metering
EPA24B15	*RCEPA24B15	R-22 PISTON
EPA36B15	*RCEPA36B15	R-22 PISTON
EPA36F19	*RCEPA36F19	R-22 PISTON
EPA42F19	RCEPA42F19	R-22 PISTON
EPA48F19	RCEPA48F19	R-22 PISTON
EPA48J22	RCEPA48J22	R-22 PISTON
EPA48L24	RCEPA48L24	R-22 PISTON
EPA60J22	*RCEPA60J22	R-22 PISTON
EPA60N26	*RCEPA60N26	R-22 PISTON

OEM Model #	Sustainable Model #	Specified Metering
EXA24B15	RCEXA24B15	R-22 HP-TXV
EXA36B15	RCEXA36B15	R-22 HP-TXV
EXA36F19	RCEXA36F19	R-22 HP-TXV
EXA48J22	RCEXA48J22	R-22 HP-TXV
EXA60N26	*RCEXA60N26	R-22 HP-TXV

OEM Model #	Sustainable Model #	Specified Metering
FCP2400C/D	*RCEPA24B15	R-22 PISTON
FCP3000C/D	*RCEPA36B15	R-22 PISTON
FCP3600C/D	*RCEPA36F19	R-22 PISTON
FCP4200C/D	*RCEPA36F19	R-22 PISTON
FCP4800C/D	RCEPA48J22	R-22 PISTON
FCP6000C/D	*RCEPA60N26	R-22 PISTON

OEM Model #	Sustainable Model #	Specified Metering
FCX2400C	RCEXA24B15	R-22 HP-TXV
FCX3600C	RCEXA36F19	R-22 HP-TXV
FCX4800C	*RCEXA60N26	R-22 HP-TXV
FCX6000C	*RCEXA60N26	R-22 HP-TXV

3/8 O.D. UNIGUARD® by Luvata copper alloy tubing to block formicary corrosion.

Aluminum end plates for rust reduction.

Base coil utilizes R-22 metering, R-410A options available.

Drains, suction and liquid lines are positioned to past specifications.

Pre-swaged suction and liquid lines, shipped with dry nitrogen holding charge.

Coils utilize a coated G-90 paint grip metal drain pan.

Coils carry a 5 year replacement warranty from date of installation.

Proudly manufactured and assembled in Lindale, Texas.

*Denotes models that have been modified (2 row to 3 row, 3 row to 4 row) to meet current production models and facilitate shipping. Proper internal refrigerant volumes have been maintained for corresponding model numbers.

Telephone: (903) 881-6006

Fax: (903) 881-6008

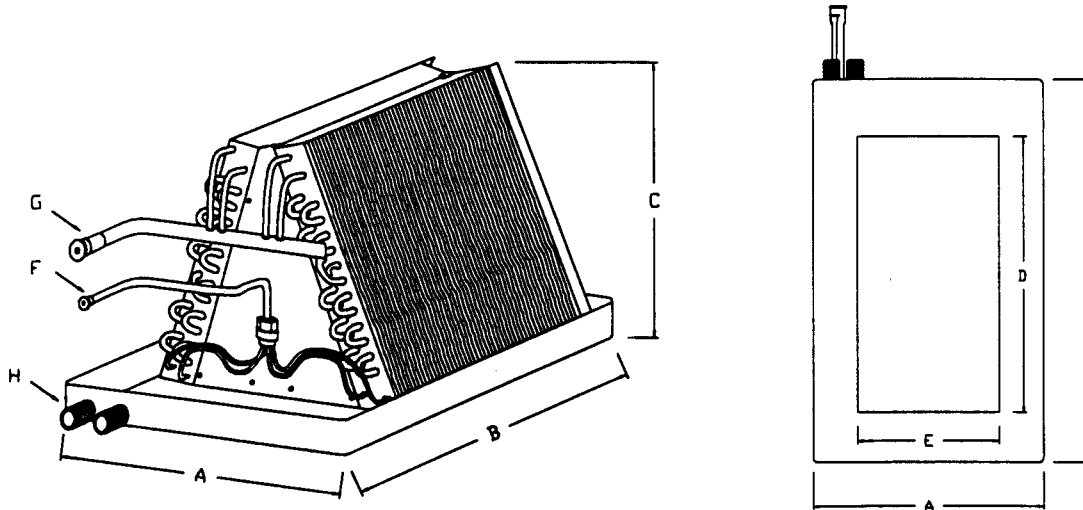
email: sales@SustainableCoils.com

Sustainable Coils

Built to Last!

Nordyne Uncased replacement coil options:

Revision date: 10/17/16



COIL MODEL	A	B	C	D	E	F	G	H
RC3BA-24U-A	12 3/4	19 1/2	12 1/2	15 1/2	5 1/2	3/8	3/4	3/4
RC3BA-36U-A	12 3/4	19 1/2	18 1/2	15 1/2	5 1/2	3/8	3/4	3/4
RC3BA-36U-B	18 1/8	19 1/2	18 1/2	15 1/2	10 7/8	3/8	3/4	3/4
RC5BA-37U-B	18 1/8	19 1/2	24 1/2	15 1/2	13 13/16	3/8	3/4	3/4
RC3BA-48U-B	18 1/8	19 1/2	18 1/2	15 1/2	10 7/8	3/8	7/8	3/4
RC3BA-48U-C	21 1/16	19 1/2	18 1/2	15 1/2	13 13/16	3/8	7/8	3/4
RC3BA-60U-C	21 1/16	19 1/2	24 1/2	15 1/2	13 13/16	3/8	7/8	3/4
*RC5BA-60U-C	21 1/16	19 1/2	28 1/2	15 1/2	13 13/16	3/8	7/8	3/4

*Denotes over size coil that must be shipped on a skid to a commercial location.

Suction line: ↑ 14 1/2", → 2 3/8" left side.

Liquid line: ↑ 12 1/8", → 1 3/8" left side.

Dual drains: Primary drain → 2" from left corner.

3/8 O.D. UNIGUARD® by Luvata copper alloy tubing to block formicary corrosion

Aluminum end plates to protect against rust corrosion

Enhanced aluminum fins spaced at 14 FPI

Piston metered for original R-22 applications, R-410A piston available upon request

R-22 and R-410A expansion valve kits available upon request

22 ga. G-90 paint grip metal pan coated for rust protection and painted

Pre-swaged refrigerant connections, shipped with dry nitrogen holding charge

Five year replacement warranty

Visit our website www.SustainableCoils.com for further information regarding our complete product line.

Sustainable Coils

Built to Last!

NORDYNE replacement coils for ReplCoil 1-7, B3BM, GB3BM, B4VMX, B5BM, GB5BM Air Handlers:

10/17/16

Our Nordyne replacement coils are a limited stock item and may require up to 5 business days to manufacture. Please contact the factory for current lead time.

Please note: Due to the multiple use of the coil model numbers in various tonnages and air handlers, it may be necessary to field install a supplied TXV kit or change a piston for a proper refrigerant match to the outdoor unit. Replacement coils may be ordered with the correct piston or TXV factory installed with a minimal up-charge to fit the desired application.

NORDYNE CROSS REFERENCE UTILIZATION CHART

OEM Model #	Sustainable Model #	Specified Metering
ReplCoil01	RC3BA-36U-A	.073 PISTON
ReplCoil02	RC3BA-36U-B	.073 PISTON
ReplCoil03	RC5BA-37U-B	.080 PISTON
ReplCoil04	RC3BA-60U-C	.093 PISTON
ReplCoil05	RC5BA-60U-C	.097 PISTON
ReplCoil06	RC3BA-24U-A	.059 PISTON
ReplCoil07	RC3BA-48U-C	.093 PISTON

OEM Model #	Sustainable Model #	Specified Metering
B3BM-024K-A	RC3BA-36U-A	R-22 PISTON
B3BM-030K-A	RC3BA-36U-A	R-22 PISTON
B3BM-030K-B	RC3BA-36U-B	R-22 PISTON
B3BM-036K-B	RC3BA-36U-B	R-22 PISTON
B3BM-042K-B	RC3BA-48U-B	R-22 PISTON
B3BM-048K-B	RC3BA-48U-B	R-22 PISTON
B3BM-060K-C	RC3BA-48U-C	R-22 PISTON

OEM Model #	Sustainable Model #	Specified Metering
GB3BM-024K-A	RC3BA-36U-A	R-22 PISTON
GB3BM-030K-A	RC3BA-36U-A	R-22 PISTON
GB3BM-030K-B	RC3BA-36U-B	R-22 PISTON
GB3BM-036K-B	RC3BA-36U-B	R-22 PISTON
GB3BM-042K-B	RC3BA-48U-B	R-22 PISTON
GB3BM-048K-B	RC3BA-48U-B	R-22 PISTON
GB3BM-060K-C	RC3BA-48U-C	R-22 PISTON

NORDYNE Air Handler replacement coils:

10/17/16

Page 2

OEM Model #	Sustainable Model #	Specified Metering
B4VM-X24K-A	RC3BA-36U-A+4X3	R-410A HP-TXV
B4VM-X24K-B	RC3BA-36U-B+4X3	R-410A HP-TXV
B4VM-X24K-B After 2008	RC3BA-60U-C+4X3	R-410A HP-TXV
B4VM-X30K-A	RC3BA-36U-A+4X3	R-410A HP-TXV
B4MV-X30K-B	RC3BA-36U-B+4X3	R-410A HP-TXV
B4MV-X36K-B	RC5BA-37U-B+4X3	R-410A HP-TXV
B4MV-X48K-B	RC5BA-37U-B+4X5	R-410A HP-TXV
B4VM-X48K-C	RC5BA-60U-C+4X5	R-410A HP-TXV
B4VM-X60K-C	RC5BA-60U-C+4X5	R-410A HP-TXV

OEM Model #	Sustainable Model #	Specified Metering
B5BM-024K-A	RC3BA-36U-A	R-22 PISTON
B5BM-024K-B	RC3BA-36U-B	R-22 PISTON
B5BM-025K-A	RC3BA-36U-A	R-22 PISTON
B5BM-025K-B	RC3BA-36U-B	R-22 PISTON
B5BM-030K-A	RC3BA-36U-A	R-22 PISTON
B5BM-030K-B	RC3BA-36U-B	R-22 PISTON
B5BM-036K-A	RC3BA-36U-A	R-22 PISTON
B5BM-036K-B	RC3BA-36U-B	R-22 PISTON
B5BM-037K-B	RC5BA-37U-B	R-22 PISTON
B5BM-042K-B	RC5BA-37U-B	R-22 PISTON
B5BM-048K-B	RC5BA-37U-B	R-22 PISTON
B5BM-048K-C	RC3BA-60U-C	R-22 PISTON
B5BM-049K-C	RC5BA-60U-C	R-22 PISTON
B5BM-060K-C	RC5BA-60U-C	R-22 PISTON

OEM Model #	Sustainable Model #	Specified Metering
GB5BM-024K-A	RC3BA-36U-A	R-22 OR R410A
GB5BM-024K-B	RC3BA-36U-B	R-22 OR R410A
GB5BM-030K-A	RC3BA-36U-A	R-22 OR R410A
GB5BM-030K-B	RC3BA-36U-B	R-22 OR R410A
GB5BM-036K-B	RC3BA-36U-B	R-22 OR R410A
GB5BM-042K-B	RC5BA-37U-B	R-22 OR R410A
GB5BM-048K-C	RC3BA-60U-C	R-22 OR R410A
GB5BM-060K-C	RC5BA-60U-C	R-22 OR R410A

3/8 O.D. UNIGUARD® by Luvata copper alloy tubing to block formicary corrosion.

Aluminum end plates for rust reduction.

Enhanced louvered fins spaced at 14 FPI.

Piston models metered for R-22, R-410A available upon request.

Factory installed heat pump expansion valves available upon request.

Expansion valve kits with chatleff fittings available upon request.

Suction and liquid lines positioned to access panel locations.

Pre-swaged suction and liquid lines, shipped with dry nitrogen holding charge.

Coils utilize a coated G-90 paint grip metal drain pan.

Drains positioned to match access panel.

Proper internal refrigerant volumes maintained for heat pump compatibility.

Coils carry a 5 year replacement warranty from date of installation.

Proudly manufactured and assembled in Lindale, Texas.

Sustainable Coils

Built to Last!

Expansion Valves:

We utilize Parker HCAE adjustable charge expansion valves equipped with chatleff fittings.
Factory super heat preset 6°- 8°.

TONNAGE	REFRIGERANT	TXV PART #
1.5 - 3	R-22	2XHP-2/3
3.5 - 5	R-22	2XHP-4/5
1.5 - 3	R-410A	4XHP-2/3
3.5 - 5	R-410A	4XHP-4/5

Stock coils piston utilization charts:

TONNAGE	REFRIGERANT	PISTON
1.5	R-22	.055
2	R-22	.059
2.5	R-22	.067
3	R-22	.073
3.5	R-22	.080
4	R-22	.084
5	R-22	.093

TONNAGE	REFRIGERANT	PISTON
1.5	R-410A	.051
2	R-410A	.055
2.5	R-410A	.059
3	R-410A	.067
3.5	R-410A	.076
4	R-410A	.080
5	R-410A	.086

Sustainable Coils

Built to Last!

AHRI formula for calculating the Internal Refrigerant Volume (IRV) of a coil

$((\text{SlabFinnedLength} * \text{NumberOfTubes} * (((\text{EvapOD} - (2.00 * \text{WallThickness})) / 2.00)^2 * 3.14)) + \text{ChargeCompensator})$

Determine the IRV of an A-coil that is 3/8" OD rifled copper, 0.012 WT, 3 rows, 24 tubes high and 16" finned length

Step 1: determine the wall thickness and multiply by 2.00

Example: $0.012 \times 2 = 0.024$

Step 2: subtract step 1 answer from tubing OD

Example: $0.375 - 0.024 = 0.351$

Step 3: divide step 2 answer by 2.00

Example: $0.351 / 2 = 0.1755$

Step 4: square the step 3 answer

Example: $0.1755 \times 0.1755 = 0.0308$

Step 5: multiply step 4 answer by 3.14

Example: $0.0308 \times 3.14 = .09676$

Step 6: multiply the slab finned length times the number of tubes in the coil

Example: A-coil that is 3 rows, 16" fin length, 24 tubes tall

3 rows x 2 (2 slabs make up the A-coil) = 6 rows x 24 tubes high = 144 total tubes

144 total tubes x 16" fin length = 2,304 linear inches

Step 7: multiply the total linear inches times step 5 answer

Example: $2,304 \times .09676 = 222.9350$ Cu. In. of volume

Step 8: If your coil has a charge accumulator, add volume to coil volume for total IRV.