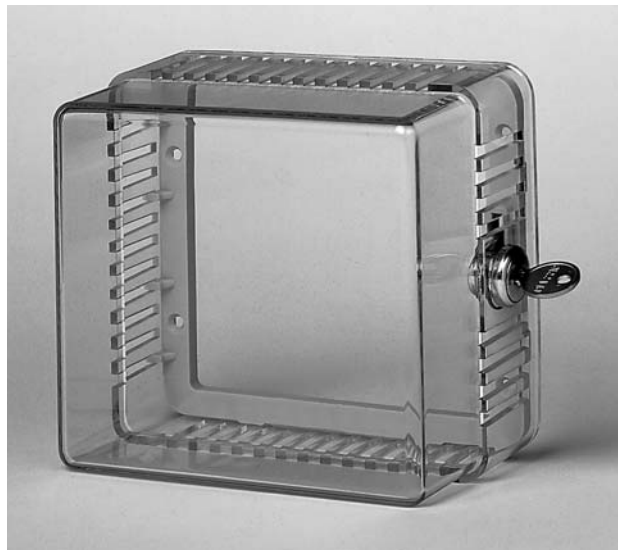


**BB3001 - 004****BB2001 - 005**

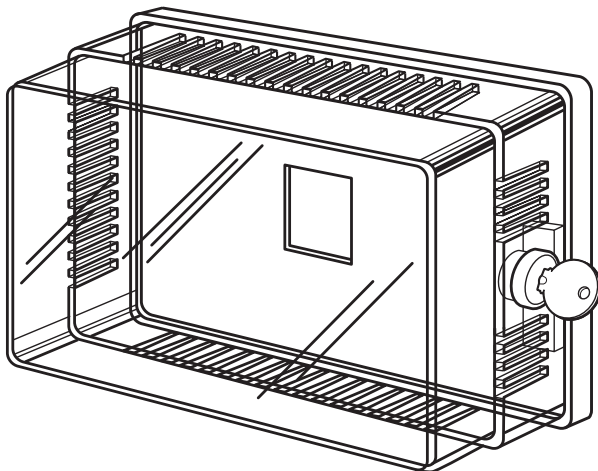
## **LOCKING THERMOSTAT GUARDS**

Whether your customer desires additional assurance or needs to deter tampering with settings, thermostat locking guards from LUX Products, provide the protection they're looking for. Made of strong durable plastic, these guards come in two sizes to fit all thermostats. Perfect for the office or rental properties, LUX locking guards limit unwanted access and eliminate accidental fluctuations when someone bumps into the thermostat.

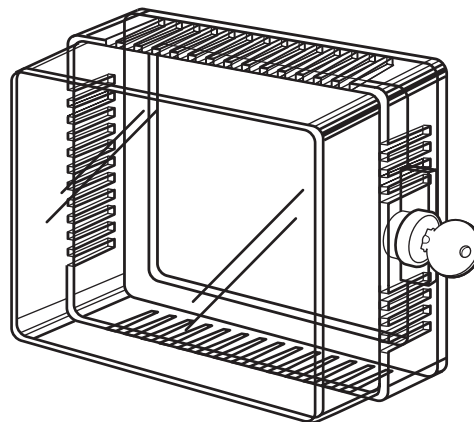
- **Fits All Thermostats**
- **Two Sizes**
- **Limits Unwanted Access**
- **One Key Included**
- **Tamper Resistant**
- **Strong, Durable Plastic**

# LUXPRO<sup>®</sup> THERMOSTAT GUARDS

07BB3001-004  
07BB2001-005



BB3001-004 (LARGE)



BB2001-005 (SMALL)

## GENERAL DESCRIPTION:

### BB3001-004 (LARGE)

9½" (240mm) wide x 5¾" (146mm) tall x 4" (100mm) deep

### BB2001-005 (SMALL)

6¾" (172mm) wide x 5⅝" (149mm) tall x 3¼" (83mm) deep

Description: Locking Thermostat Covers Are Made From Strong, Durable Plastic.

### BB3001-004, Used For:

PSD122E	PSP700	PSPA711
PSM200SA	PSP711RF	PSPA722
PSM400SA	PSP711TS	PSPHA732
PSMH45	PSP722E	PSPLV510

### BB2001-005, Used For:

PSD100	PSP600	PSP511C
PSD111	PSP602	PSP511LC
PSD150	PSPH605	PSD011B
PSDH121	PSPH521	PSD011W



**LUX Products Corporation** 6000 Commerce Parkway • Suite I • Mt. Laurel, NJ 08054  
TEL (856) 234-7905 • FAX (856) 234-7825 • [www.luxproproducts.com](http://www.luxproproducts.com)

JOB NAME: \_\_\_\_\_

DATE: \_\_\_\_\_

CONTRACTOR: \_\_\_\_\_

UNIT DESIGNATION: \_\_\_\_\_

ENGINEER: \_\_\_\_\_

MODEL NO.: \_\_\_\_\_

SUBMITTED FOR:  APPROVAL  RECORD

LOCATION: \_\_\_\_\_