

Job Name : \_\_\_\_\_  
 Purchaser : \_\_\_\_\_  
 Engineer : \_\_\_\_\_  
 Submitted To : \_\_\_\_\_  
 Submitted By : \_\_\_\_\_  
 Unit Designation : Schedule No.: \_\_\_\_\_

Location : \_\_\_\_\_  
 P.O. No. : \_\_\_\_\_  
 Architect : \_\_\_\_\_  
 Date : \_\_\_\_\_  
 For : Reference Approval Construction  
 Model No.: \_\_\_\_\_

**Submittal Data : LA121HNP** **Art Cool™ Heat Pump Single Zone Mini Split**



**Capacities :**

|                                |        |
|--------------------------------|--------|
| Rated Cooling Capacity (Btu/h) | 11,500 |
| Power Input (W, Cooling)       | 1,100  |
| SEER                           | 13.0   |
| EER                            | 10.5   |
| Rated Heating Capacity (Btu/h) | 11,500 |
| Power Input (W, Heating)       | 1,100  |
| HSPF (IV)                      | 7.8    |

Cooling Nominal Test Condition :  
 Indoor : 80 DB / 67 WB  
 Outdoor : 95 DB / 75 WB  
 Pipe Length : 25ft

Heating Nominal Test Condition :  
 Indoor : 70 DB / 60 WB  
 Outdoor : 47 DB / 43 WB  
 Pipe Length : 25ft

**Indoor Unit :**

|   |                         |
|---|-------------------------|
| Power Supply (V,Ph,HZ)                          | 36V DC                  |
| Minimum Circuit Ampacity (A)                    | Powered by outdoor unit |
| Maximum Overcurrent Protection (A)              | Powered by outdoor unit |
| Weight (lbs)                                    | 33.1                    |
| Sound Pressure (dB(A), H/M/L Cool, 3.3ft front) | 41/35/29                |
| Air Circulation (CFM, H/M/L Cool)               | 330/260/195             |
| Dehumidification (pts/hr)                       | 3.0                     |
| Drain Pipe (inches, O.D, I.D)                   | 3/4, 5/8                |

**Outdoor Unit :**

|  |           |
|--|-----------|
| Power Supply (V,Ph,HZ)                         | 115,1,60  |
| Minimum Circuit Ampacity (A)                   | 15        |
| Maximum Overcurrent Protection (A)             | 20        |
| Running Current (A, Cooling/Heating)           | 10.0/10.0 |
| Weight (lbs)                                   | 70.5      |
| Sound Pressure (dB(A), High Cool, 3.3ft front) | 48        |

**Refrigerant Piping :**

|                                |       |
|--------------------------------|-------|
| Maximum Length (ft)            | 50    |
| Maximum Height Difference (ft) | 25    |
| Liquid Side (inches, O.D)      | 1/4   |
| Gas Side (inches, O.D)         | 1/2   |
| Refrigerant                    | R410A |

**Operating Range :**

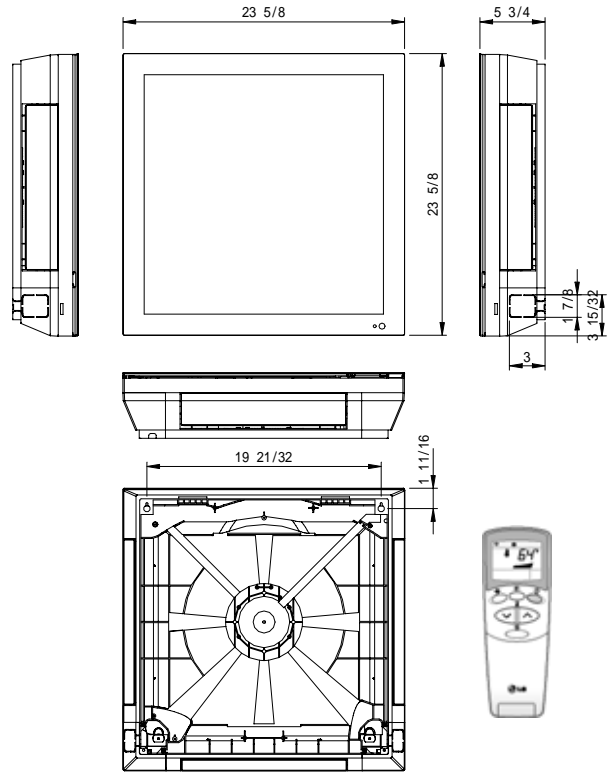
|                                       |         |
|---------------------------------------|---------|
| Cooling Operating Range ( , standard) | 0 - 115 |
| Heating Operating Range ( )           | 14 - 75 |

**Standard Features :**

- Five Year Compressor Warranty
- Three Year Functional Parts Warranty
- Customizable Art Panel
- Plasma Air Purifying System
- Chaos Swing Air Circulation
- Jet Cool™
- LCD Wireless Remote Controller
- Auto Restart
- 24 Hour On/Off Timer
- Built-in Low Ambient Standard down to 0 at cooling mode

**Note :**

**LAN121HNP**



**LAU121HNP**

