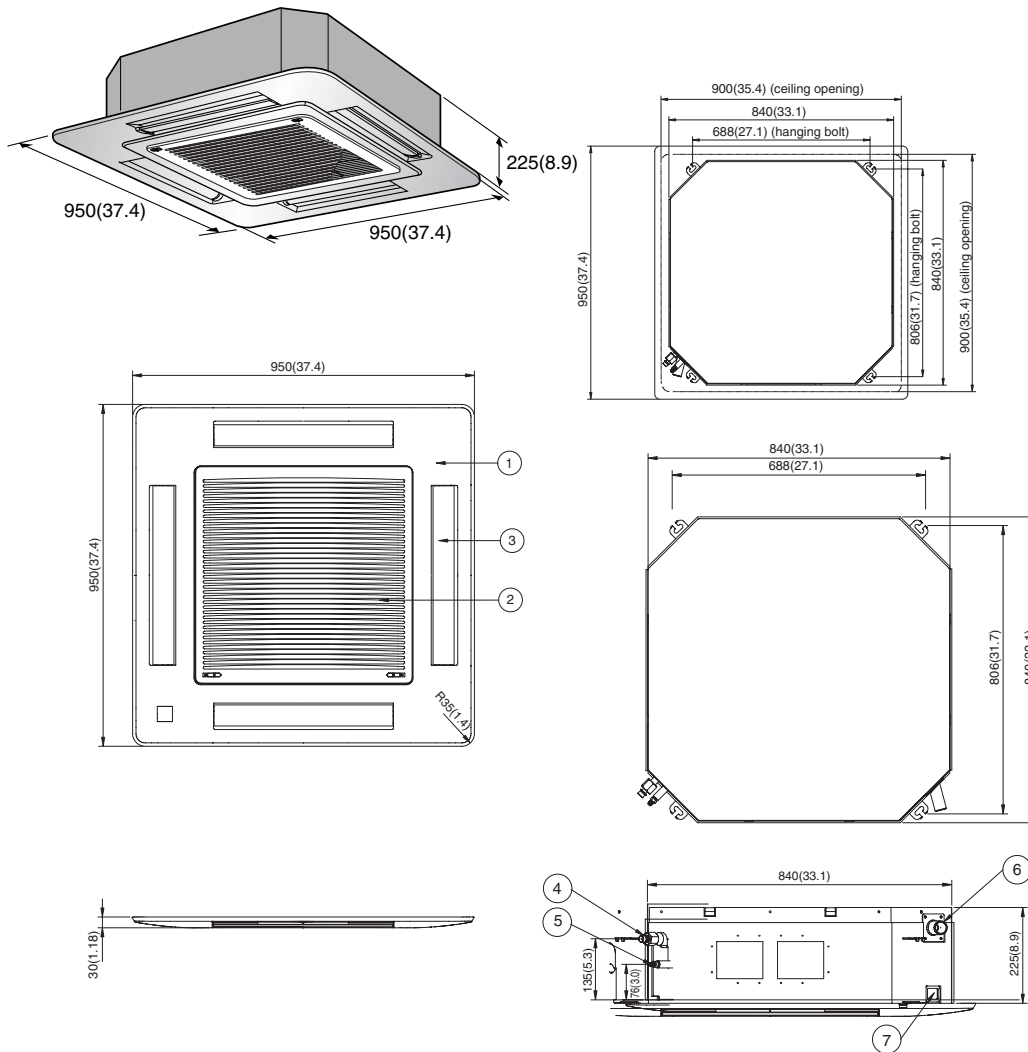


Dimensional Drawings

1. Indoor Units

Model No.: LCN240CP/LC240CPI/LCN340CP/LC340CPI



* mm(inch)

No.	Part Name	Remark
1	Decoration panel	
2	Air suction grille	
3	Air discharge grille	
4	Gas pipe connection	
5	Liquid pipe connection	
6	Drain pipe connection	
7	Power supply connection	